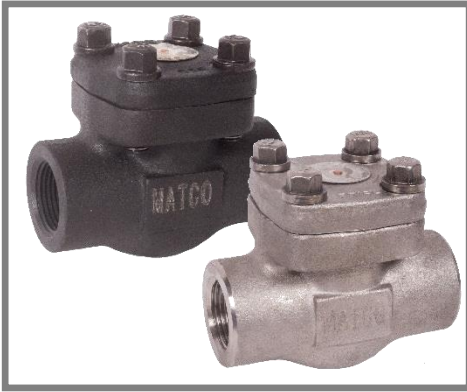


522F Threaded Forged Lift Check Valves • Spec Sheet

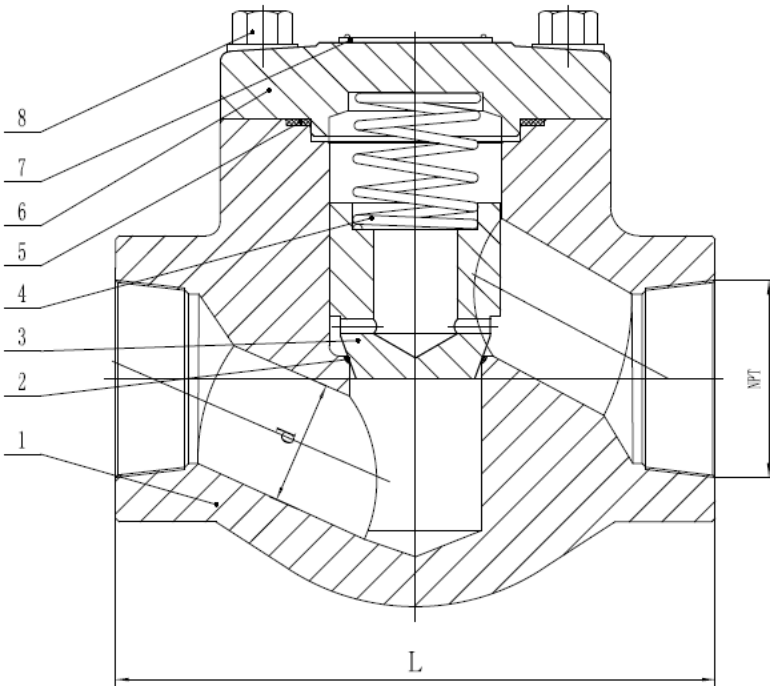


FEATURES & BENEFITS

- Forged Carbon Steel Lift Check Valve
- Class 800
- ASTM A105
- ASME B16.34
- Maximum Pressure 1975 PSI
- Maximum Temperature 850
- Bolted Bonnet
- API 602 / API 598
- NACE MR0175
- Sizes 1/4" - 2"
- Forged Stainless Steel Lift Check Valve
- Class 800
- ASTM A182/316L
- ASME B16.34
- Maximum Pressure 1975 PSI
- Maximum Temperature 850
- Bolted Bonnet
- API 602 / API 598
- NACE MR0175
- Sizes 1/2" - 2"

MATERIAL SPECIFICATIONS

No.	Part	Material Carbon	Material Stainless
1	Body	A105	F316L
2	Seat	INT	INT
3	Disc	420	F316L
4	Spring	SS304	SS316
5	Gasket	SS304 Flexible Graphite	SS16 Flexible Graphite
6	Cover	A105	F316L
7	Name Plate	AL	AL
8	Bolt	B7	B8M



DIMENSIONS

Part # Carbon	Part # Stainless	Size - NPT	L	d	CV
522FCT01	-	1/4"	3.11	0.24	1.2
522FCT02	-	3/8"	3.11	0.32	2.4
522FCT03	522FSST03	1/2"	3.11	0.39	3.7
522FCT04	522FSST04	3/4"	3.62	0.51	6.8
522FCT05	522FSST05	1"	4.37	0.69	11
522FCT06	522FSST06	1-1/4"	4.73	0.91	20
522FCT07	522FSST07	1-1/2"	4.73	1.10	28
522FCT08	522FSST08	2"	5.52	1.38	48



CALIFORNIA 5595 Fresca Dr., La Palma CA 90623
TEXAS 1150 Silber Rd., Houston TX 77055
ILLINOIS 278 Windy Point Dr., Glendale Heights, IL 60139
GEORGIA 113 Industrial Blvd., Americus, Georgia 31709
NEW YORK PO Box 27, Rt.22, Brewster NY 10509
 WEB: www.matco-norca.com

• Phone: 866-532-8306 • Fax: 866-532-8307
 • Phone: 800-935-5456 • Fax: 713-680-2999
 • Phone: 844-412-5068 • Fax: 800-640-2252
 • Phone: 800-433-7526 • Fax: 800-533-5134
 • Phone: 800-431-2082 • Fax: 845-278-9056

EMAIL: mail@matco-norca.com