

521 Brass Check Valve • Spec Sheet



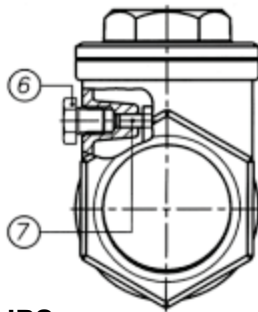
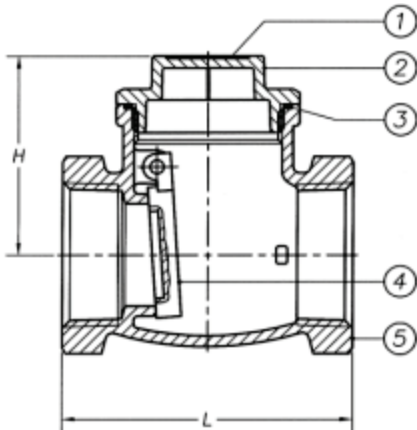
FEATURES & BENEFITS

- 200 WOG
- 125 SWP
- Cast Brass Body
- Swing Type
- Threaded Ends Comply with ANSI B2.1 3/8" - 4"
- Solder Ends Comply with ANSI B16.18 1/2" - 4"
- Valves are Tested in Accordance w/MSS-SP-82

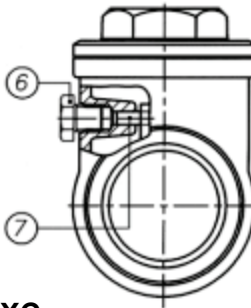
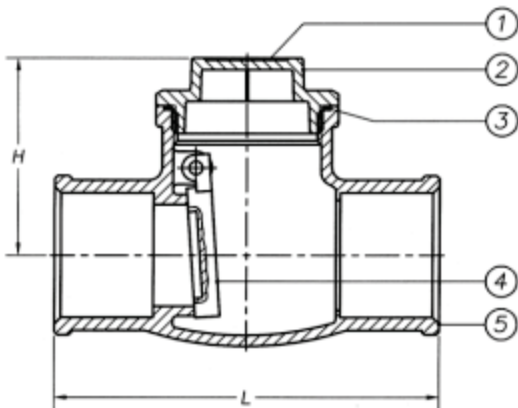
Application: Commercial, Light Industrial for Water, Oil, Gas or Steam.

MATERIAL SPECIFICATIONS

No.	Part	Material
1	Name Plate	Aluminum A1100
2	Cap	Brass B584 C85710
3	Packing	Fibre "H"
4	Disc	Brass B584 C85710
5	Body	Brass B584 C85710
6	Bolt	Brass B16 C36000
7	Pin	Brass B124 C37700



IPS



CXC

DIMENSIONS

Size	H	L (IPS)	L (CXC)	Weight (lbs)
3/8"	1.42	2.09	-	.39
1/2"	1.42	2.09	2.40	.42
3/4"	1.56	2.36	3.15	.55
1"	1.77	2.62	3.51	.75
1-1/4"	2.07	3.19	4.16	1.34
1-1/2"	2.17	3.55	4.57	1.69
2"	2.74	4.22	5.48	2.64
2-1/2"	3.09	5.14	6.90	4.8
3"	3.80	5.77	7.68	6.87
4"	4.26	6.84	9.48	11.36



MATCO-NORCA

Global sourcing. National compliance. Local service.

CALIFORNIA 5593 Fresca Dr., La Palma CA 90623 • Toll Free: 866-532-8306 • Fax: 866-532-8307
TEXAS 1150 Silber Rd., Houston TX 77055 • Toll Free: 800-935-5456 • Fax: 713-680-2999
NEW YORK PO Box 27, Rt. 22, Brewster NY 10509 • Toll Free: 800-431-2082 • Fax: 845-278-9056
 WEB: www.matco-norca.com EMAIL: mail@matco-norca.com