

# 520FC Forged Swing Check Valves • Spec Sheet



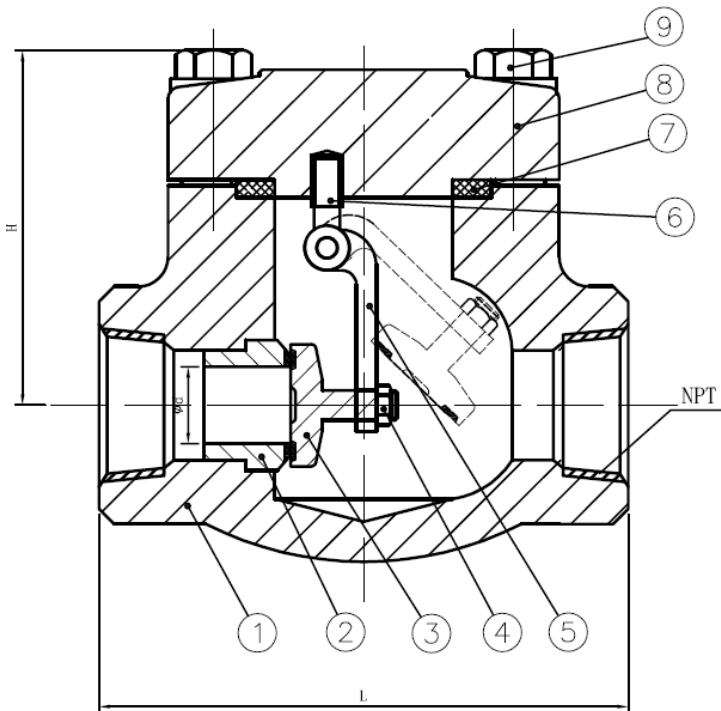
## THREADED

### FEATURES & BENEFITS

- Forged Carbon Steel Swing Check Valve
- Class 800
- ASTM A105
- ASME B16.34
- Maximum Pressure 1975 PSI @100° F
- Maximum Temperature 850°F @ 850 PSI
- Bolted Bonnet
- API 602 / API 598
- NACE MR0175
- Threads ASME B1.20.1 NPT
- Sizes 1/2" - 2"

### MATERIAL SPECIFICATIONS

No.	Part	Material
1	Body	A105
2	Seat	13Cr
3	Disc	13Cr+STL
4	Nut	A194 8
5	Arm	304
6	Bolt	ASTM A193 B8
7	Gasket	SS304+Graphite
8	Bonnet	ASTM A105
9	Bolt	ASTM A193 B7



### DIMENSIONS

Part #	Size	Ød	L	H	CV
520FCT03	1/2"	0.41	3.11	2.44	18
520FCT04	3/4"	0.51	3.62	2.48	32
520FCT05	1"	0.71	4.37	2.76	54
520FCT06	1-1/4"	0.95	4.73	3.35	79
520FCT07	1-1/2"	1.14	4.73	3.62	135
520FCT08	2"	1.44	5.52	3.98	230



**CALIFORNIA** 5595 Fresca Dr., La Palma CA 90623  
**TEXAS** 1150 Silber Rd., Houston TX 77055  
**ILLINOIS** 278 Windy Point Dr., Glendale Heights, IL 60139  
**GEORGIA** 113 Industrial Blvd., Americus, Georgia 31709  
**NEW YORK** PO Box 27, Rt.22, Brewster NY 10509  
 WEB: [www.matco-norca.com](http://www.matco-norca.com)

• Phone: 866-532-8306 • Fax: 866-532-8307  
 • Phone: 800-935-5456 • Fax: 713-680-2999  
 • Phone: 844-412-5068 • Fax: 800-640-2252  
 • Phone: 800-433-7526 • Fax: 800-533-5134  
 • Phone: 800-431-2082 • Fax: 845-278-9056

EMAIL: [mail@matco-norca.com](mailto:mail@matco-norca.com)

# 520FC Forged Swing Check Valves • Spec Sheet



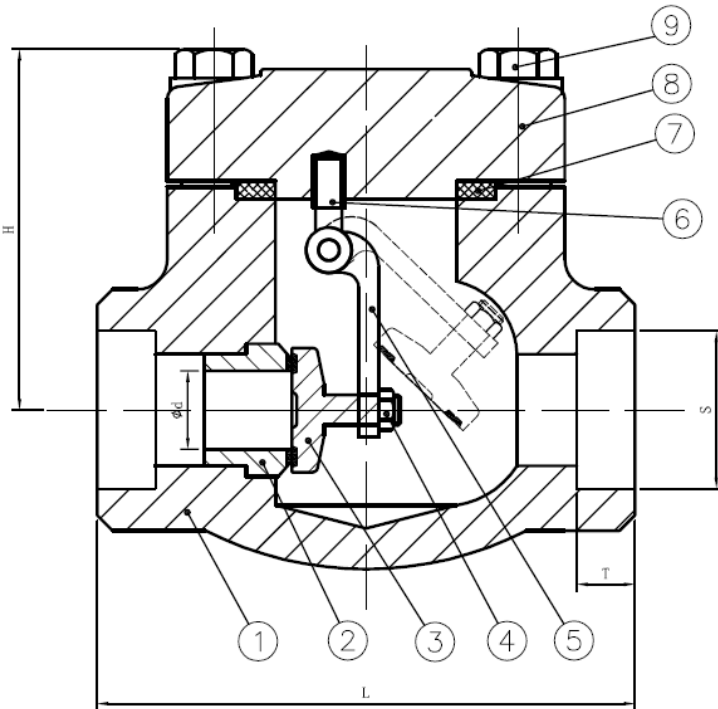
## SOCKET WELD

### FEATURES & BENEFITS

- Forged Carbon Steel Swing Check Valve
- Class 800
- ASTM A105
- ASME B16.34
- Maximum Pressure 1975 PSI @100° F
- Maximum Temperature 850°F @ 850 PSI
- Bolted Bonnet
- API 602 / API 598
- NACE MR0175
- Sizes 1/2" - 2"

### MATERIAL SPECIFICATIONS

No.	Part	Material
1	Body	A105
2	Seat	13Cr
3	Disc	13Cr+STL
4	Nut	A194 8
5	Arm	304
6	Bolt	ASTM A193 B8
7	Gasket	SS304+Graphite
8	Bonnet	ASTM A105
9	Bolt	ASTM A193 B7



### DIMENSIONS

Part #	Size	Ød	L	H	S	T	CV
520FCW03	1/2"	0.41	3.11	2.44	0.86	0.39	18
520FCW04	3/4"	0.51	3.62	2.48	1.07	0.51	32
520FCW05	1"	0.71	4.37	2.76	1.34	0.51	54
520FCW06	1-1/4"	0.95	4.73	3.35	1.68	0.51	79
520FCW07	1-1/2"	1.14	4.73	3.62	1.92	0.51	135
520FCW08	2"	1.44	5.52	3.98	2.41	0.63	230



**CALIFORNIA** 5595 Fresca Dr., La Palma CA 90623  
**TEXAS** 1150 Silber Rd., Houston TX 77055  
**ILLINOIS** 278 Windy Point Dr., Glendale Heights, IL 60139  
**GEORGIA** 113 Industrial Blvd., Americus, Georgia 31709  
**NEW YORK** PO Box 27, Rt.22, Brewster NY 10509  
 WEB: [www.matco-norca.com](http://www.matco-norca.com)

• Phone: 866-532-8306 • Fax: 866-532-8307  
 • Phone: 800-935-5456 • Fax: 713-680-2999  
 • Phone: 844-412-5068 • Fax: 800-640-2252  
 • Phone: 800-433-7526 • Fax: 800-533-5134  
 • Phone: 800-431-2082 • Fax: 845-278-9056  
 EMAIL: [mail@matco-norca.com](mailto:mail@matco-norca.com)