

518 Brass Gate Valve • Spec Sheet

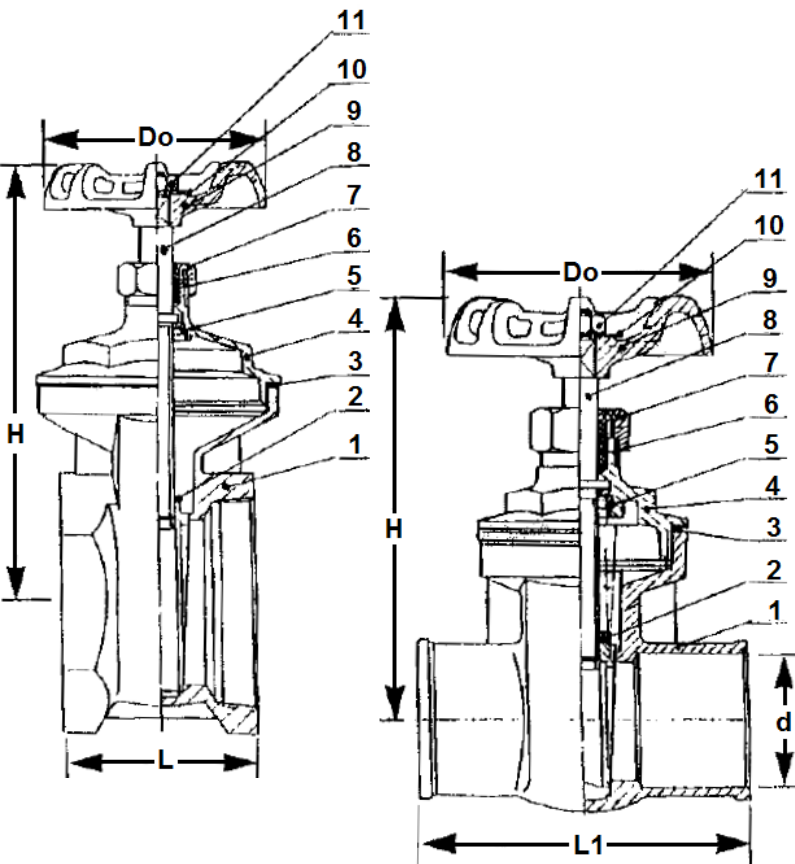


FEATURES & BENEFITS

- ISO-9002
- 200 WOG
- Non-rising Stem
- Compact Design
- Threaded Bonnet
- Threaded Ends Comply to ANSI Standards B2.1
- Solder Ends Comply to ANSI Standards B16.18
- Sizes 1/2" - 2"

DIMENSIONS

Size	Part # IPS	Part # CxC	L	H	Do	L1	d
1/2"	518T03	518C03	1.64	2.80	2.12	1.77	0.63
3/4"	518T04	518C04	1.81	2.88	2.12	2.08	0.88
1"	518T05	518C05	1.90	3.31	2.33	2.44	1.13
1-1/4"	-	518C06	2.13	3.75	2.84	2.75	1.38
1-1/2"	518T07	518C07	2.28	4.35	3.11	2.95	1.63
2"	-	518C08	2.52	5.26	3.11	3.50	2.13



MATERIAL SPECIFICATIONS

No.	Part	Material
1	Body	Cast Brass B584 GRL854
2	Wedge	Cast Brass B584 GRL854
3	Gasket	PTFE
4	Bonnet	Cast Brass B584 GRL854
5	Lock Nut	Brass B16 GR3600
6	Packing	PTFE
7	Packing Nut	Brass B16 GR3600
8	Stem	Brass B16 GR3600
9	Handwheel	Cast Iron
10	Name Plate	Aluminum
11	Wheel Nut	Steel

