

512LF Bronze Gate Valve • Spec Sheet



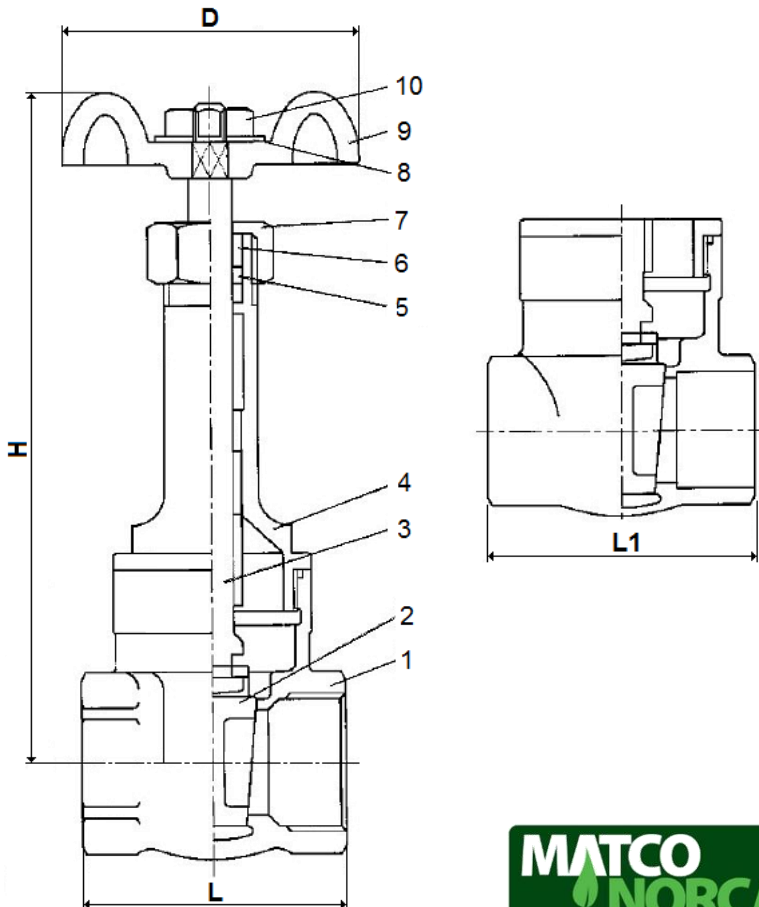
*Product will have LF imprinted on the body for Lead Free

FEATURES & BENEFITS

- Lead Free Bronze*
- ISO-9002
- 300 WOG - 150 SWP
- Full Port
- Rising Stem
- Federal Spec 54 Class A Type 2
- Threaded & Sweat Ends
- Threaded Ends Comply to ANSI Standards B2.1
- Valves Conform to MSS-SP-80
- Sizes 1/2" - 2"

DIMENSIONS

Part #	Size	L	L1	H	D
512T03LF	1/2"	1.89	1.89	4.73	2.13
512T04LF	3/4"	2.05	2.44	5.87	2.44
512T05LF	1"	2.44	2.88	7.29	2.80
512T06LF	1-1/4"	2.64	3.15	8.27	3.03
512T07LF	1-1/2"	2.96	3.70	9.65	3.62
512T08LF	2"	3.31	4.33	11.11	4.06



MATERIAL SPECIFICATIONS

No.	Part	Material
1	Body	Bronze C89844
2	Disc	Bronze C89844
3	Stem	Brass 6802
4	Bonnet	Bronze C83600
5	Packing	PTFE
6	Gland	Brass B16 C3600
7	Packing Nut	Brass B16 C3600
8	ID Plate	Aluminum Alloy
9	Handwheel	Cast Iron A48 Class No.35
10	Wheel Nut	Steel A284 D

*This product complies with 0.25% weighted average lead content on wetted surfaces in accordance with the Safe Drinking Water Act (SDWA) / Federal Public Law No. 111-380.



Global sourcing. National compliance. Local service.

CALIFORNIA 5595 Fresca Dr., La Palma CA 90623
TEXAS 1150 Silber Rd., Houston TX 77055
ILLINOIS 278 Windy Point Dr., Glendale Heights, IL 60139
GEORGIA 113 Industrial Blvd., Americus, Georgia 31709
NEW YORK PO Box 27, Rt.22, Brewster NY 10509
 WEB: www.matco-norca.com

• Phone: 866-532-8306 • Fax: 866-532-8307
 • Phone: 800-935-5456 • Fax: 713-680-2999
 • Phone: 844-412-5068 • Fax: 800-640-2252
 • Phone: 800-433-7526 • Fax: 800-533-5134
 • Phone: 800-431-2082 • Fax: 845-278-9056
 EMAIL: mail@matco-norca.com