

511 Bronze Gate Valve • Spec Sheet



FEATURES & BENEFITS

- ISO-9002
- 300 WOG - 150 SWP
- Full Port
- Solid Wedge Disc
- Non-rising Stem
- Federal Spec 54 Class A Type 1
- Threaded Ends Comply to ANSI Standards B2.1
- Valves Conform to MSS-SP-80
- Sizes 1/4" - 2"

APPLICATIONS:

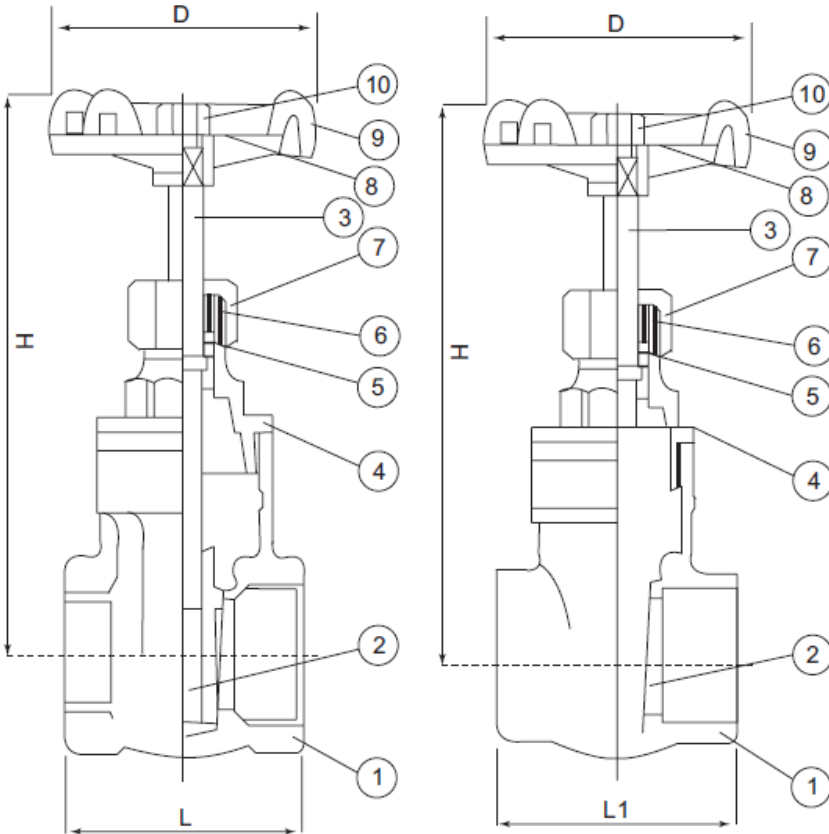
Commercial and Industrial / Water, Oil, Gas, Steam

DIMENSIONS

Size	Part # IPS	Part # CxC	L	L1	H	D
1/2"	511T03	511C03	1.89	1.89	3.07	2.01
3/4"	511T04	511C04	2.05	2.44	3.62	2.44
1"	511T05	511C05	2.44	2.87	4.49	2.80
1-1/4"	511T06	511C06	2.64	3.15	4.76	3.03
1-1/2"	511T07	511C07	2.95	3.70	5.51	3.62
2"	511T08	511C08	3.31	4.33	6.89	4.06

MATERIAL SPECIFICATIONS

No.	Part	Material
1	Body	Cast Bronze B584 C83600
2	Disc	Cast Bronze B584 C83600
3	Stem	Brass Rod B21 C48200
4	Bonnet	Cast Bronze B584 C83600
5	Packing	PTFE
6	Gland	Brass Rod B21 C48200
7	Packing Nut	Brass Rod B21 C48200
8	ID Plate	Aluminum Alloy A1100
9	Handwheel	Cast Iron A48 Class No.35
10	Wheel Nut	Mild Steel A284 D



MATCO-NORCA

Global sourcing. National compliance. Local service.

CALIFORNIA 5593 Fresca Dr., La Palma CA 90623 • Toll Free: 866-532-8306 • Fax: 866-532-8307
TEXAS 1150 Silber Rd., Houston TX 77055 • Toll Free: 800-935-5456 • Fax: 713-680-2999
NEW YORK PO Box 27, Rt. 22, Brewster NY 10509 • Toll Free: 800-431-2082 • Fax: 845-278-9056
 WEB: www.matco-norca.com EMAIL: mail@matco-norca.com