

505F Socket Weld Forged Globe Valves • Spec Sheet

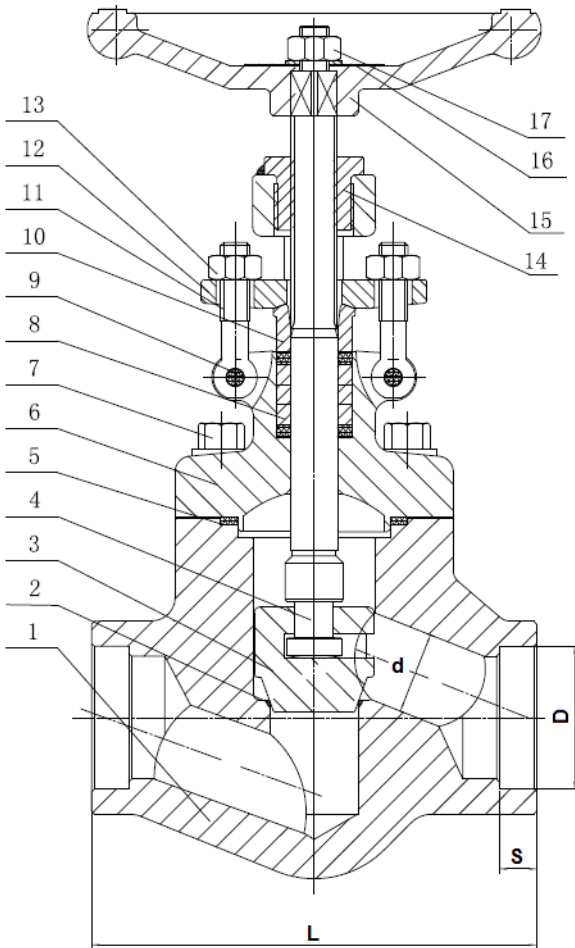


FEATURES & BENEFITS

- Forged Carbon Steel Globe Valve
- Class 800
- ASTM A105
- ASME B16.34
- Maximum Pressure 1975 PSI
- Maximum Temperature 850
- Bolted Bonnet
- API 602 / API 598
- NACE MR0175
- Sizes 1/4" - 2"
- Forged Stainless Steel Globe Valve
- Class 800
- ASTM A182/316L
- ASME B16.34
- Maximum Pressure 1975 PSI
- Maximum Temperature 850
- Bolted Bonnet
- API 602 / API 598
- NACE MR0175
- Sizes 1/2" - 2"

MATERIAL SPECIFICATIONS

No.	Part	Material Carbon	Material Stainless
1	Body	A105	F316L
2	Seat	A105	F316L
3	Disc	410	F316L
4	Stem	410	F316L
5	Gasket	SS304 Flexible Graphite	SS16 Flexible Graphite
6	Bonnet	A105	F316L
7	Bolt	B7	B8M
8	Packing	Graphite	Graphite
9	Pin	SS	304
10	Packing Press Sleeve	410	F316L
11	Live Bolt	B7	B8M
12	Packing Press Plate	A105	F316L
13	Hex Nut	2H	8M
14	Stem Nut	1035	1035
15	Handwheel	A197	A197
16	Name Plate	SS	SS
17	Lock Nut	CS	CS



DIMENSIONS

Part # Carbon	Part # Stainless	Size - NPT	L	D	d	S	CV
505FCW01	-	1/4"	3.11	0.56	0.24	0.38	1.2
505FCW02	-	3/8"	3.11	0.69	0.32	0.38	2.4
505FCW03	505FSSW03	1/2"	3.11	0.86	0.39	0.38	3.7
505FCW04	505FSSW04	3/4"	3.62	1.07	0.51	0.50	6.8
505FCW05	505FSSW05	1"	4.37	1.33	0.69	0.50	11
505FCW06	505FSSW06	1-1/4"	4.73	1.68	0.91	0.50	20
505FCW07	505FSSW07	1-1/2"	4.73	1.92	1.10	0.50	28
505FCW08	505FSSW08	2"	5.52	2.41	1.38	0.63	48



CALIFORNIA 5595 Fresca Dr., La Palma CA 90623
TEXAS 1150 Silber Rd., Houston TX 77055
ILLINOIS 278 Windy Point Dr., Glendale Heights, IL 60139
GEORGIA 113 Industrial Blvd., Americus, Georgia 31709
NEW YORK PO Box 27, Rt.22, Brewster NY 10509
 WEB: www.matco-norca.com

• Phone: 866-532-8306 • Fax: 866-532-8307
 • Phone: 800-935-5456 • Fax: 713-680-2999
 • Phone: 844-412-5068 • Fax: 800-640-2252
 • Phone: 800-433-7526 • Fax: 800-533-5134
 • Phone: 800-431-2082 • Fax: 845-278-9056
 EMAIL: mail@matco-norca.com