

# 503LF Bronze Gate Valve • Spec Sheet



\*Product will have LF imprinted on the body for Lead Free

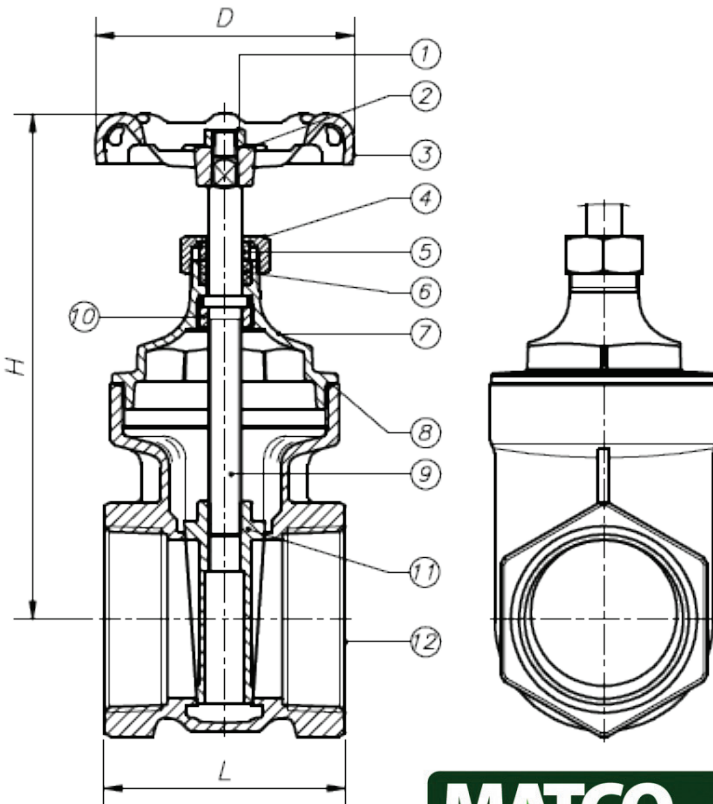
## FEATURES & BENEFITS

- Lead Free Bronze\*
- ISO-9002
- 300 WOG - 150 SWP
- Full Port
- Non-rising Stem
- Threaded Bonnet
- NSF/ANSI 61 by IAPMO
- Threaded Ends Comply to ANSI Standards B2.1
- Valves are Tested in Accordance with MSS-SP-82
- Sizes 1/2" - 2"

**APPLICATIONS:** Commercial & Light Industrial for Water, Oil, Gas, Steam

## DIMENSIONS

Part #	Size	D	H	L
503T03LF	1/2"	2.09	2.92	1.71
503T04LF	3/4"	2.13	3.31	1.81
503T05LF	1"	2.48	3.90	2.13
503T06LF	1-1/4"	2.72	4.61	2.25
503T07LF	1-1/2"	3.15	5.08	2.44
503T08LF	2"	3.53	5.99	2.70



## MATERIAL SPECIFICATIONS

No.	Part	Material
1	Wheel Nut	Hot Rolled SAE 1010R
2	Name Plate	Aluminum
3	Hand Wheel	Cast Iron
4	Packing Nut	Brass B16 C36000
5	Gland Ring	Brass B16 C36000
6	Gland Packing	Graphite
7	Bonnet	Bronze C89844
8	Packing	FIBRE "H"
9	Stem	Brass C89550
10	Lock Nut	Brass C89550
11	Disc	Bronze C89844
12	Body	Bronze C89844

\* These product complies with 0.25% weighted average lead content on wetted surfaces in accordance with Safe Water Drinking Act (SDWA) / Federal Public Law No. 111-380.



Global sourcing. National compliance. Local service.

**CALIFORNIA** 5593 Fresca Dr., La Palma CA 90623 • Toll Free: 866-532-8306 • Fax: 866-532-8307  
**TEXAS** 1150 Silber Rd., Houston TX 77055 • Toll Free: 800-935-5456 • Fax: 713-680-2999  
**NEW YORK** PO Box 27, Rt. 22, Brewster NY 10509 • Toll Free: 800-431-2082 • Fax: 845-278-9056  
 WEB: [www.matco-norca.com](http://www.matco-norca.com) EMAIL: [mail@matco-norca.com](mailto:mail@matco-norca.com)