

# 503 Bronze Gate Valve • Spec Sheet



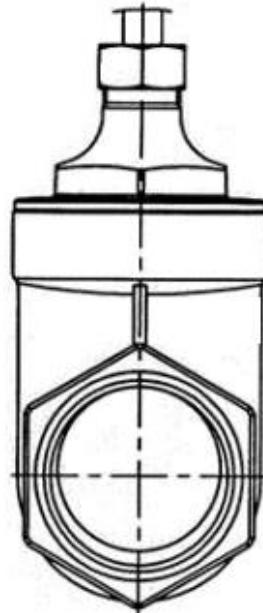
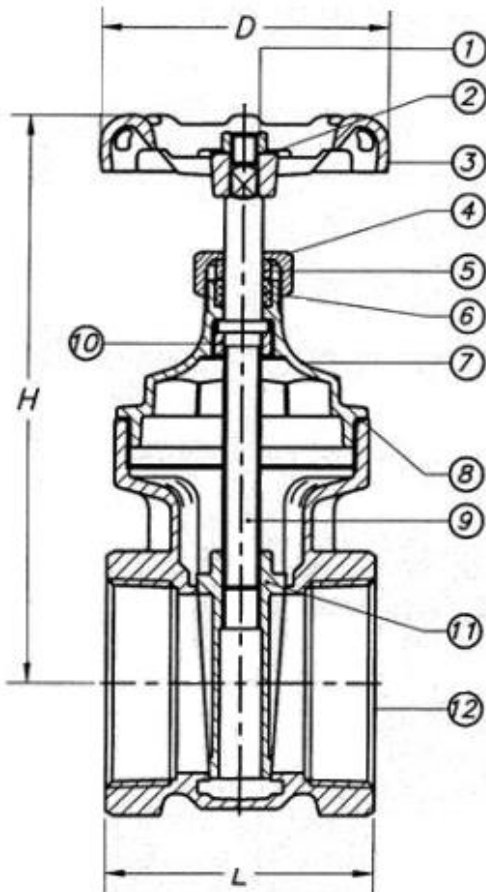
## FEATURES & BENEFITS

- Full Port
- Non-Rising Stem
- 300 WOG - 150SWP
- Screwed Bonnet
- Integral Seat
- Threaded Ends Conform to ANSI Standards B2.1
- Valves Are Tested in Accordance with MSS-SP-82
- Sizes 1/2" - 4"

**APPLICATIONS:** Commercial and Light Industrial for Water, Oil, Gas, Steam

## MATERIAL SPECIFICATIONS

| Size   | Part # | D    | H    | L    |
|--------|--------|------|------|------|
| 1/4"   | 503T01 | 2.09 | 2.92 | 1.71 |
| 3/8"   | 503T02 | 2.09 | 2.92 | 1.71 |
| 1/2"   | 503T03 | 2.09 | 2.92 | 1.71 |
| 3/4"   | 503T04 | 2.13 | 3.31 | 1.81 |
| 1"     | 503T05 | 2.48 | 3.90 | 2.13 |
| 1-1/4" | 503T06 | 2.72 | 4.61 | 2.25 |
| 1-1/2" | 503T07 | 3.15 | 5.08 | 2.44 |
| 2"     | 503T08 | 3.53 | 5.99 | 2.70 |
| 2-1/2" | 503T09 | 3.98 | 7.88 | 3.70 |
| 3"     | 503T10 | 4.37 | 8.83 | 4.02 |
| 4"     | 503T11 | 5.00 | 9.89 | 4.53 |



## DIMENSIONS

| No. | Part          | Material             |
|-----|---------------|----------------------|
| 1   | Wheel Nut     | Hot Rolled SAE 1010R |
| 2   | Name Plate    | Aluminum A1100       |
| 3   | Handwheel     | Cast Iron JIS ZZ2202 |
| 4   | Packing Nut   | Brass B16 C36000     |
| 5   | Gland Ring    | Brass B16 C36000     |
| 6   | Gland Packing | Graphite LK 33 NAFG  |
| 7   | Bonnet        | Bronze B584 C84400   |
| 8   | Packing       | FIBRE "H"            |
| 9   | Stem          | Bronze B584 C84400   |
| 10  | Lock Nut      | Brass B16 C36000     |
| 11  | Disc          | Bronze B584 C84400   |
| 12  | Body          | Bronze B584 C84400   |

**MATCO-NORCA**

Global sourcing. National compliance. Local service.

**CALIFORNIA** 5593 Fresca Dr., La Palma CA 90623 • Toll Free: 866-532-8306 • Fax: 866-532-8307  
**TEXAS** 1150 Silber Rd., Houston TX 77055 • Toll Free: 800-935-5456 • Fax: 713-680-2999  
**NEW YORK** PO Box 27, Rt. 22, Brewster NY 10509 • Toll Free: 800-431-2082 • Fax: 845-278-9056  
 WEB: [www.matco-norca.com](http://www.matco-norca.com) EMAIL: [mail@matco-norca.com](mailto:mail@matco-norca.com)