

500F Socket Weld Forged Gate Valves • Spec Sheet

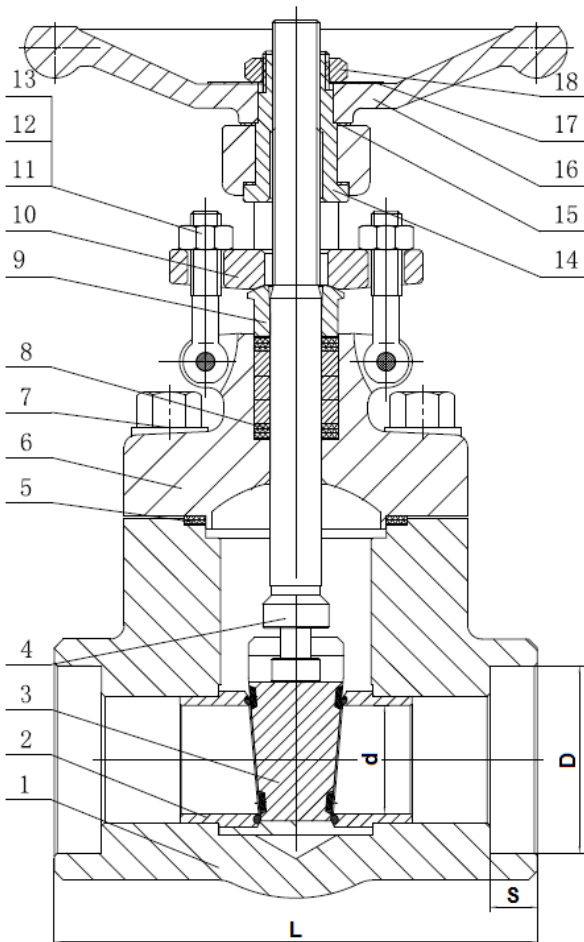


FEATURES & BENEFITS

- Forged Carbon Steel Gate Valve
- Class 800
- ASTM A105
- ASME B16.34
- Maximum Pressure 1975 PSI
- Maximum Temperature 850
- Bolted Bonnet
- API 602 / API 598
- NACE MR0175
- Sizes 1/4" - 2"
- Forged Stainless Steel Gate Valve
- Class 800
- ASTM A182/316L
- ASME B16.34
- Maximum Pressure 1975 PSI
- Maximum Temperature 850
- Bolted Bonnet
- API 602 / API 598
- NACE MR0175
- Sizes 1/2" - 2"

MATERIAL SPECIFICATIONS

No.	Part	Material Carbon	Material Stainless
1	Body	A105	F316L
2	Seat	420	F316L
3	Wedge	13Cr	F316L
4	Stem	410	F316L
5	Gasket	SS304 Flexible Graphite	SS16 Flexible Graphite
6	Bonnet	A105	F316L
7	Bolt	B7	B8M
8	Packing	Graphite	Graphite
9	Bolt	410	F316L
10	Packing Press Plate	A105	F316L
11	Pin	SS	304
12	Gland Eyebolt	B7	B8M
13	Hex Nut	2H	8M
14	Stem Nut	1035	1035
15	Washer	410	410
16	Handwheel	A197	A197
17	Name Plate	AL	AL
18	Adjusting Nut	CS	CS



DIMENSIONS

Part # Carbon	Part # Stainless	Size - NPT	L	D	d	S	CV
500FCW01	-	1/4"	3.11	0.56	0.28	0.38	5.6
500FCW02	-	3/8"	3.11	0.69	0.41	0.38	11.5
500FCW03	500FSSW03	1/2"	3.11	0.86	0.41	0.38	18
500FCW04	500FSSW04	3/4"	3.62	1.07	0.53	0.50	32
500FCW05	500FSSW05	1"	4.37	1.33	0.71	0.50	54
500FCW06	500FSSW06	1-1/4"	4.73	1.68	0.91	0.50	79
500FCW07	500FSSW07	1-1/2"	4.73	1.92	1.14	0.50	135
500FCW08	500FSSW08	2"	5.52	2.41	1.42	0.63	230



CALIFORNIA 5595 Fresca Dr., La Palma CA 90623
TEXAS 1150 Silber Rd., Houston TX 77055
ILLINOIS 278 Windy Point Dr., Glendale Heights, IL 60139
GEORGIA 113 Industrial Blvd., Americus, Georgia 31709
NEW YORK PO Box 27, Rt.22, Brewster NY 10509
 WEB: www.matco-norca.com

• Phone: 866-532-8306 • Fax: 866-532-8307
 • Phone: 800-935-5456 • Fax: 713-680-2999
 • Phone: 844-412-5068 • Fax: 800-640-2252
 • Phone: 800-433-7526 • Fax: 800-533-5134
 • Phone: 800-431-2082 • Fax: 845-278-9056
 EMAIL: mail@matco-norca.com