

470 PVC Union - Solvent • Spec Sheet

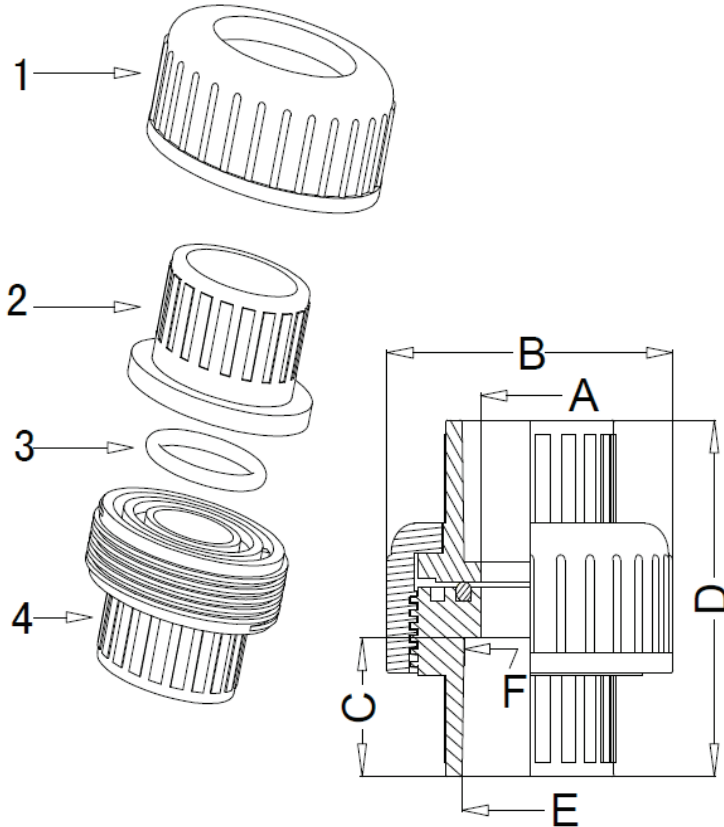


FEATURES & BENEFITS

- PVC Union
- Schedule 80
- 150 PSI @ 73° F
- Fits Schedule 40 & 80 Pipe
- Threaded & Solvent Ends Available
- Sizes 1/2" - 4"

MATERIAL SPECIFICATIONS

Size	Part #	A	B	C	D	E	F
1/2"	470S03	0.59	2.13	0.88	2.21	0.85	0.84
3/4"	470S04	0.79	2.56	1.00	2.53	1.07	1.05
1"	470S05	0.98	2.86	1.13	2.84	1.33	1.31
1-1/4"	470S06	1.26	3.13	1.25	3.11	1.67	1.66
1-1/2"	470S07	1.58	3.62	1.38	3.44	1.90	1.89
2"	470S08	1.97	4.10	1.50	3.70	2.39	2.37
2-1/2"	470S09	2.37	5.12	1.77	4.50	2.89	2.87
3"	470S10	2.90	5.89	1.90	4.91	3.52	3.49
4"	470S11	3.83	7.14	2.27	5.72	4.52	4.49



DIMENSIONS

No.	Part	Material
1	Nut	PVC
2	End Connector	PVC ASTM D2467
3	O-Ring	EPDM
4	Body	PVC ASTM D2467

MATCO-NORCA
Global sourcing. National compliance. Local service.

CALIFORNIA 5593 Fresca Dr., La Palma CA 90623 • Toll Free: 866-532-8306 • Fax: 866-532-8307
TEXAS 1150 Silber Rd., Houston TX 77055 • Toll Free: 800-935-5456 • Fax: 713-680-2999
NEW YORK PO Box 27, Rt. 22, Brewster NY 10509 • Toll Free: 800-431-2082 • Fax: 845-278-9056
 WEB: www.matco-norca.com EMAIL: mail@matco-norca.com

470 PVC Union - Threaded • Spec Sheet

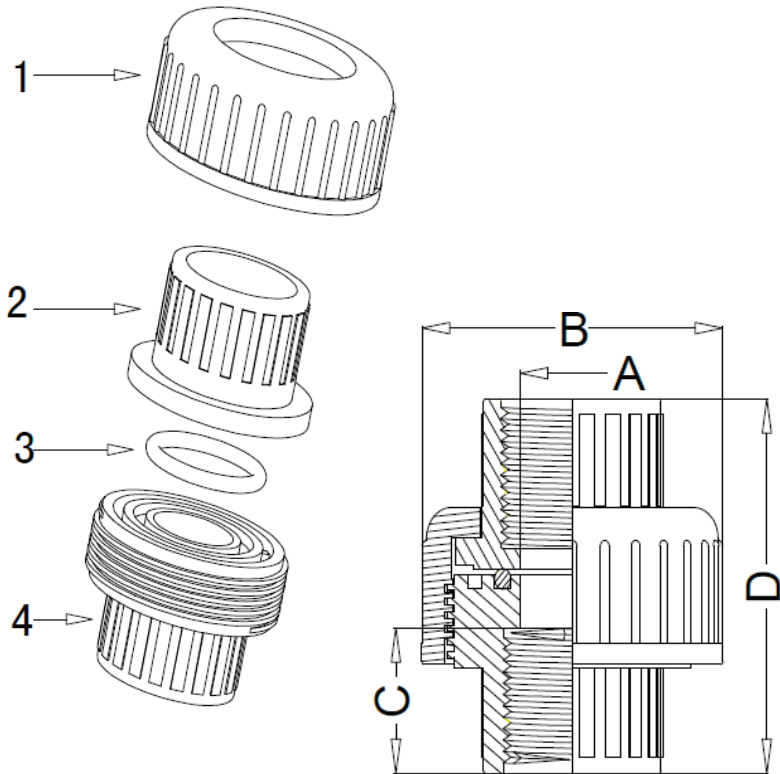


FEATURES & BENEFITS

- PVC Union
- Schedule 80
- 150 PSI @ 73° F
- Fits Schedule 40 & 80 Pipe
- Threaded & Solvent Ends Available
- Sizes 1/2" - 4"

MATERIAL SPECIFICATIONS

Size	Part #	A	B	C	D
1/2"	470T03	0.59	2.13	0.77	2.18
3/4"	470T04	0.79	2.54	0.90	2.50
1"	470T05	0.98	2.86	0.98	2.84
1-1/4"	470T06	1.26	3.14	1.11	3.10
1-1/2"	470T07	1.58	3.63	1.34	3.39
2"	470T08	1.97	4.10	1.44	3.67
2-1/2"	470T09	2.37	5.12	1.77	4.50
3"	470T10	2.90	5.89	1.90	4.91
4"	470T11	3.83	7.14	2.27	5.72



DIMENSIONS

No.	Part	Material
1	Nut	PVC
2	End Connector	PVC ASTM F1498
3	O-Ring	EPDM
4	Body	PVC ASTM F1498

MATCO-NORCA
 Global sourcing. National compliance. Local service.

CALIFORNIA 5593 Fresca Dr., La Palma CA 90623 • Toll Free: 866-532-8306 • Fax: 866-532-8307
TEXAS 1150 Silber Rd., Houston TX 77055 • Toll Free: 800-935-5456 • Fax: 713-680-2999
NEW YORK PO Box 27, Rt. 22, Brewster NY 10509 • Toll Free: 800-431-2082 • Fax: 845-278-9056
 WEB: www.matco-norca.com EMAIL: mail@matco-norca.com