

# 452 Series Heavy Duty No-Hub Coupling • Spec Sheet



## ABOUT MATCO-NORCA NO-HUB COUPLINGS

Used universally in all types of construction, no-hub pipe, fittings, and couplings install quickly, absorb noise and vibration, withstand deflection, and demonstrate corrosion resistance space-saving. Matco-Norca Heavy-Duty No-Hub Couplings are particularly advantageous in compact installations and can be installed under, as well as, above ground. Pre-fabricated units install in a fraction of the time required for conventional drain, waste vent systems. Matco-Norca Heavy-Duty No-Hub Couplings are available in sizes 1-1/2" through 12".

## SPECIFICATIONS

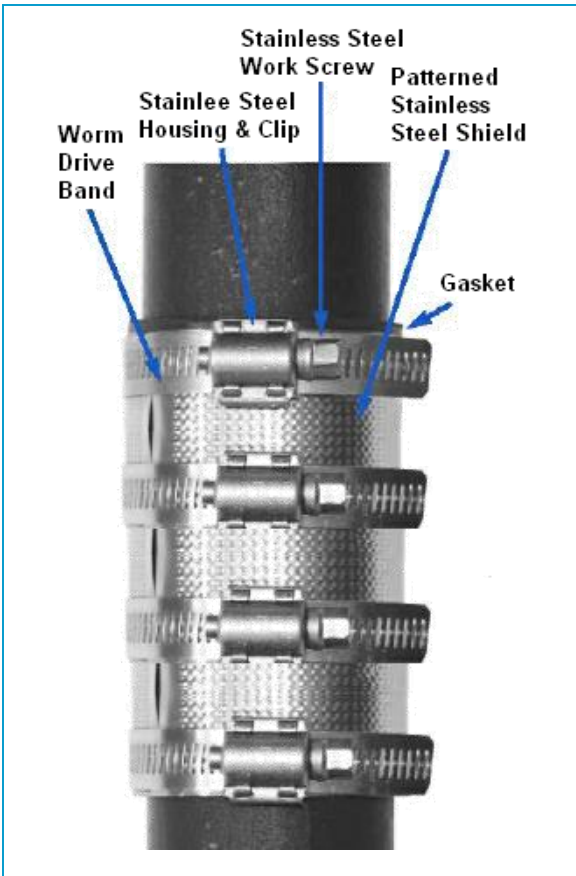
Standard couplings shall conform to the requirements contained in the latest edition of ASTM C1540. Shield assembly, clamp, band, and screw housing shall be made from series 301 stainless steel, and the screw made from series 304 stainless steel. Gaskets shall comply with requirements contained in the latest edition of ASTM C564. Standard couplings shall be marked with UPC®. These standard couplings shall be used in joining the hubless cast iron soil pipe and fittings in a hubless cast iron sanitary system. Joints shall be tightened to the proper torque pounds by the use of calibrated torque wrench. After installation the system shall be hydrostatically tested to a 10 foot pounds head of water. Air testing (compressed air or gas) is not recommended. The Neoprene gasket provides a cushioning element in the joint to absorb shock and vibration with the result of assuring noiseless plumbing system.



**CALIFORNIA** 5595 Fresca Dr., La Palma CA 90623  
**TEXAS** 1150 Silber Rd., Houston TX 77055  
**ILLINOIS** 278 Windy Point Dr., Glendale Heights, IL 60139  
**GEORGIA** 113 Industrial Blvd., Americus, Georgia 31709  
**NEW YORK** PO Box 27, Rt.22, Brewster NY 10509  
WEB: [www.matco-norca.com](http://www.matco-norca.com)

• Phone: 866-532-8306 • Fax: 866-532-8307  
• Phone: 800-935-5456 • Fax: 713-680-2999  
• Phone: 844-412-5068 • Fax: 800-640-2252  
• Phone: 800-433-7526 • Fax: 800-533-5134  
• Phone: 800-431-2082 • Fax: 845-278-9056  
EMAIL: [mail@matco-norca.com](mailto:mail@matco-norca.com)

# 452 Series Heavy Duty No-Hub Coupling • Spec Sheet



## FEATURES & BENEFITS

- Meets or Exceeds ASTM C564, C1540 & FM 1680
- UPC, IPC, CISPI 310 and CSA B602 Approved
- ISO 9001
- Sizes 1-1/2" - 4": 4 Bands
- Sizes 5" - 12": 6 Bands

## COMPONENTS & MATERIALS

**Shield Assembly & Clamp:** Type 301 Stainless Steel Bright Annealed Hardness - Rockwell B585 Max.

**Band:** Type 301 Stainless Steel, Minimum Tensile 165,000 psi

**Screw Housing:** Type 301 Stainless Steel

**Screw:** Type 304 Stainless Steel, 3/8" hex head / shoulder

**Gasket:** The C564 compliant Neoprene gasket provides a cushioning element in the joint to absorb shock and vibration with the result of assuring noiseless plumbing system.

## INSTALLATION

1. Place gasket on the end of one pipe and clamp the assembly over the other pipe.
2. Fit second hubless pipe end into gasket, firmly putting both ends against rib, or shoulder, in the center of the gasket. Make certain the pipe and/or fitting to be joined are in proper alignment, then slide the loose coupling over the gasket so that the gasket is completely covered.
3. Using a calibrated torque wrench, tighten the stainless steel screws alternately to the proper torque pound (80 - 100 inch/lbs).

You now have complemented no-hub joint.

## PRODUCT CODE & SIZE

Part #	Size	Part #	Size
452007H	1-1/2"	452013H	6"
452008H	2"	452014H	8"
452010H	3"	452015H	10"
452011H	4"	452016H	12"
452012H	5"		

 **MATCO-NORCA**  
Global sourcing. National compliance. Local service.

**CALIFORNIA** 5595 Fresca Dr., La Palma CA 90623  
**TEXAS** 1150 Silber Rd., Houston TX 77055  
**ILLINOIS** 278 Windy Point Dr., Glendale Heights, IL 60139  
**GEORGIA** 113 Industrial Blvd., Americus, Georgia 31709  
**NEW YORK** PO Box 27, Rt.22, Brewster NY 10509  
 WEB: [www.matco-norca.com](http://www.matco-norca.com)

• Phone: 866-532-8306 • Fax: 866-532-8307  
 • Phone: 800-935-5456 • Fax: 713-680-2999  
 • Phone: 844-412-5068 • Fax: 800-640-2252  
 • Phone: 800-433-7526 • Fax: 800-533-5134  
 • Phone: 800-431-2082 • Fax: 845-278-9056  
 EMAIL: [mail@matco-norca.com](mailto:mail@matco-norca.com)

# 452 Series Heavy Duty No-Hub Coupling • Spec Sheet

## CARTON & PALLET INFORMATION



Size	Carton (L x W x H)	Level of Cartons	Height of Cartons	Height of Pallet	Cartons Per Level	Cartons Per Pallet	Pieces Per Carton	Weight Per Piece
1-1/2"	13.59" x 13.59" x 9.65"	4	38.58"	3.94"	9	36	75	0.34
2"	15.75" x 14.96" x 9.65"	4	38.58"	3.94"	9	36	75	0.52
3"	16.93" x 16.93" x 9.65"	4	38.58"	3.94"	6	24	48	0.66
4"	20.87" x 20.87" x 9.65"	4	38.58"	3.94"	4	16	48	0.81
5"	18.31" x 12.01" x 12.60"	3	37.80"	3.94"	6	18	15	1.32
6"	20.48" x 13.78" x 12.60"	3	37.80"	3.94"	6	18	15	1.48
8"	25.60" x 17.72" x 12.60"	3	37.80"	3.94"	4	12	15	1.83
10"	31.11" x 22.45" x 8.67"	4	34.65"	3.94"	2	8	10	2.17
12"	37.01" x 27.17" x 11.81"	3	35.43"	3.94"	2	6	10	3.44

 **MATCO-NORCA**  
Global sourcing. National compliance. Local service.

**CALIFORNIA** 5595 Fresca Dr., La Palma CA 90623  
**TEXAS** 1150 Silber Rd., Houston TX 77055  
**ILLINOIS** 278 Windy Point Dr., Glendale Heights, IL 60139  
**GEORGIA** 113 Industrial Blvd., Americus, Georgia 31709  
**NEW YORK** PO Box 27, Rt.22, Brewster NY 10509  
 WEB: [www.matco-norca.com](http://www.matco-norca.com)

• Phone: 866-532-8306 • Fax: 866-532-8307  
 • Phone: 800-935-5456 • Fax: 713-680-2999  
 • Phone: 844-412-5068 • Fax: 800-640-2252  
 • Phone: 800-433-7526 • Fax: 800-533-5134  
 • Phone: 800-431-2082 • Fax: 845-278-9056  
 EMAIL: [mail@matco-norca.com](mailto:mail@matco-norca.com)