

434DLF Meter Valve • Spec Sheet

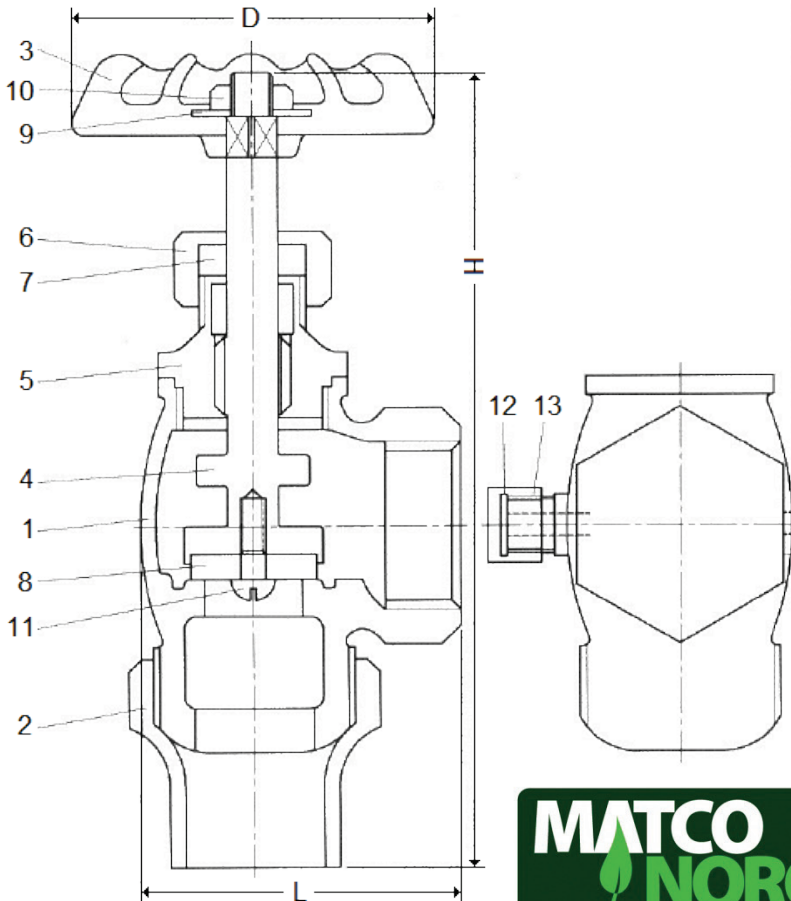


FEATURES & BENEFITS

- Lead Free Brass*
- Angle Valve With Drain
- Flare X IPS

DIMENSIONS

Part #	Size	L	H	D
434-0404DLF	3/4" x 3/4"	2.01	5.04	2.09



MATERIAL SPECIFICATIONS

No.	Part	Material
1	Body	Brass C89550
2	Union	Brass C84400
3	Handwheel	Cast Iron A126 Class A
4	Stem	Brass C6802
5	Bonnet	Brass C6802
6	Nut	Brass C36000
7	Packing	NBR
8	Packing	NBR
9	Washer	Aluminum Alloy
10	Nut	Brass C36000
11	Screw	Stainless Steel
12	Nut	Brass C36000
13	Packing	NBR

* These product complies with 0.25% weighted average lead content on wetted surfaces in accordance with Safe Water Drinking Act (SDWA) / Federal Public Law No. 111-380.



Global sourcing. National compliance. Local service.

CALIFORNIA 5593 Fresca Dr., La Palma CA 90623 • Toll Free: 866-532-8306 • Fax: 866-532-8307
TEXAS 1150 Silber Rd., Houston TX 77055 • Toll Free: 800-935-5456 • Fax: 713-680-2999
NEW YORK PO Box 27, Rt. 22, Brewster NY 10509 • Toll Free: 800-431-2082 • Fax: 845-278-9056
 WEB: www.matco-norca.com EMAIL: mail@matco-norca.com