

# 433LF Water Meter Coupling • Spec Sheet

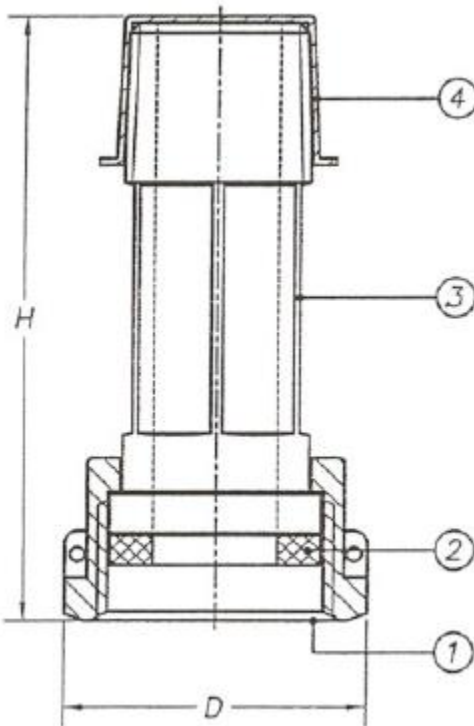


## FEATURES & BENEFITS

- Lead Free Brass\*
- With Gasket
- AB 1953 Certified
- Sizes 1/2" - 2"

## MATERIAL SPECIFICATIONS

No.	Part	Material
1	Nut	Brass C85700
2	Packing	NBR SN-719F
3	Nipple	Brass C46400
4	Cover	Plastic



## DIMENSIONS

Part #	Size	D	H
433T03LF	1/2" MIP X 3/4" FIP	0.93	2.27
433T04LF	3/4" MIP X 1" FIP	1.19	2.50
433T04MLF	3/4" MIP X 1" FIP	1.19	3.00
433T04XLF	3/4" MIP X 1" FIP	1.19	8.50
433T05LF	1" MIP X 1-1/4" FIP	1.50	2.65
433T05XLF	1" MIP X 1-1/4" FIP	1.50	8.50
433T07LF	1-1/2" MIP X 2" FIP	2.23	2.89
433T08LF	2" MIP X 2-1/2" FIP	2.66	3.00

\*This product complies with 0.25% weighted average lead content on wetted surfaces in accordance with the Safe Drinking Water Act (SDWA) / Federal Public Law No. 111-380.



Global sourcing. National compliance. Local service.

**CALIFORNIA** 5595 Fresca Dr., La Palma CA 90623  
**TEXAS** 1150 Silber Rd., Houston TX 77055  
**ILLINOIS** 278 Windy Point Dr., Glendale Heights, IL 60139  
**GEORGIA** 113 Industrial Blvd., Americus, Georgia 31709  
**NEW YORK** PO Box 27, Rt.22, Brewster NY 10509  
 WEB: [www.matco-norca.com](http://www.matco-norca.com)

• Phone: 866-532-8306 • Fax: 866-532-8307  
 • Phone: 800-935-5456 • Fax: 713-680-2999  
 • Phone: 844-412-5068 • Fax: 800-640-2252  
 • Phone: 800-433-7526 • Fax: 800-533-5134  
 • Phone: 800-431-2082 • Fax: 845-278-9056  
 EMAIL: [mail@matco-norca.com](mailto:mail@matco-norca.com)