

433DLF Domestic Water Meter Coupling • Spec Sheet

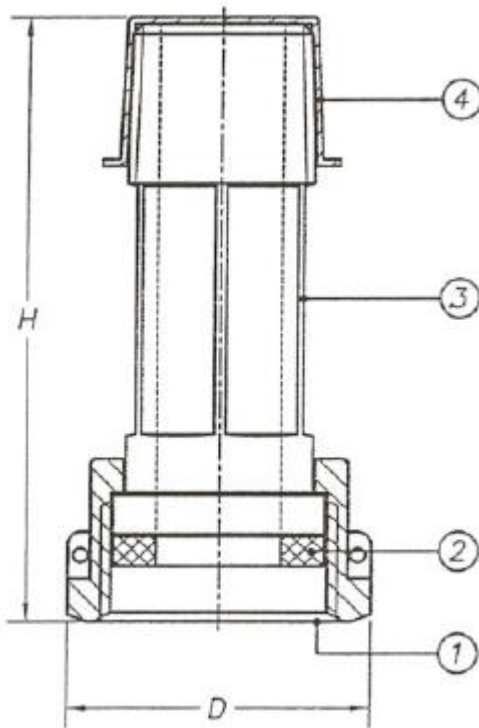


FEATURES & BENEFITS

- Lead Free Brass*
- With Gasket
- AWWA C800 Compliant
- Manufactured with Brass C89833
- Sizes 1/2" – 2"

MATERIAL SPECIFICATIONS

No.	Part	Material
1	Nut	Brass
2	Gasket	NBR SN-719F
3	Nipple	Brass
4	Protective Cover	Plastic



DIMENSIONS

Part #	Size	H	D	Thread Length	Thread Designation
433T03DLF	1/2" MIP x 2-1/4"	2.70	1.26	0.75	1/2" – 14 NPT
433T04DLF	3/4" MIP x 2-1/2"	3.10	1.55	0.80	3/4" – 14 NPT
433T05DLF	1" MIP x 2-5/8"	3.20	1.90	1.00	1" – 11.5 NPT
433T07DLF	1-1/2" MIP x 2-7/8"	3.50	2.67	1.20	1-1/2" – 11.5 NPT
433T08DLF	2" MIP x 3"	3.80	3.19	1.20	2" – 11.5 NPT



*This product complies with 0.25% weighted average lead content on wetted surfaces in accordance with the Safe Drinking Water Act (SDWA) / Federal Public Law No. 111-380.

Global sourcing. National compliance. Local service.

CALIFORNIA 5595 Fresca Dr., La Palma CA 90623
TEXAS 1150 Silber Rd., Houston TX 77055
ILLINOIS 278 Windy Point Dr., Glendale Heights, IL 60139
GEORGIA 113 Industrial Blvd., Americus, Georgia 31709
NEW YORK PO Box 27, Rt.22, Brewster NY 10509
 WEB: www.matco-norca.com

• Phone: 866-532-8306 • Fax: 866-532-8307
 • Phone: 800-935-5456 • Fax: 713-680-2999
 • Phone: 844-412-5068 • Fax: 800-640-2252
 • Phone: 800-433-7526 • Fax: 800-533-5134
 • Phone: 800-431-2082 • Fax: 845-278-9056
 EMAIL: mail@matco-norca.com