

433LLF Lead Free Water Meter Elbow • Spec Sheet

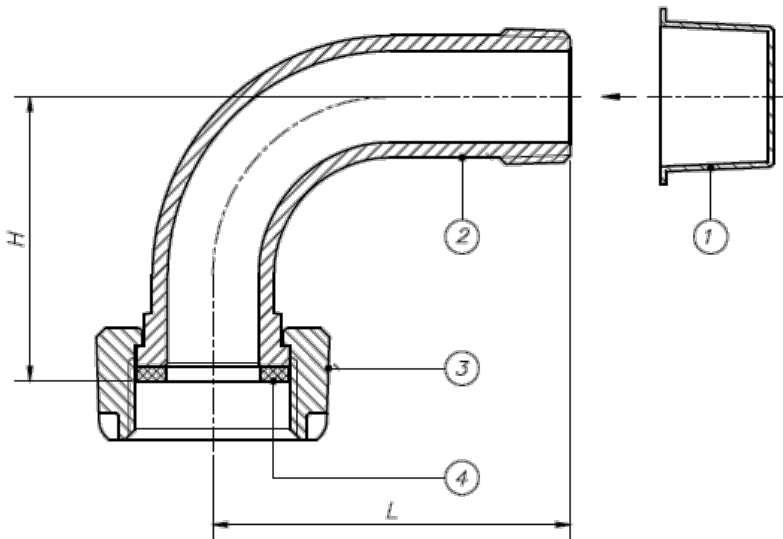


FEATURES & BENEFITS

- Lead Free Brass*
- Sizes - 3/4" MIP x 1" FIP

DIMENSIONS

Part #	Size	H	L
433L9004LF	3/4" MIP x 1" FIP	2.21	2.78



MATERIAL SPECIFICATIONS

No.	Part	Material
1	Cover	Plastic
2	Nut	Brass C85700
3	Nipple	Brass C46400
4	Packing	NBR SN-919F

*This product complies with 0.25% weighted average lead content on wetted surfaces in accordance with the Safe Drinking Water Act (SDWA) / Federal Public Law No. 111-380.

