

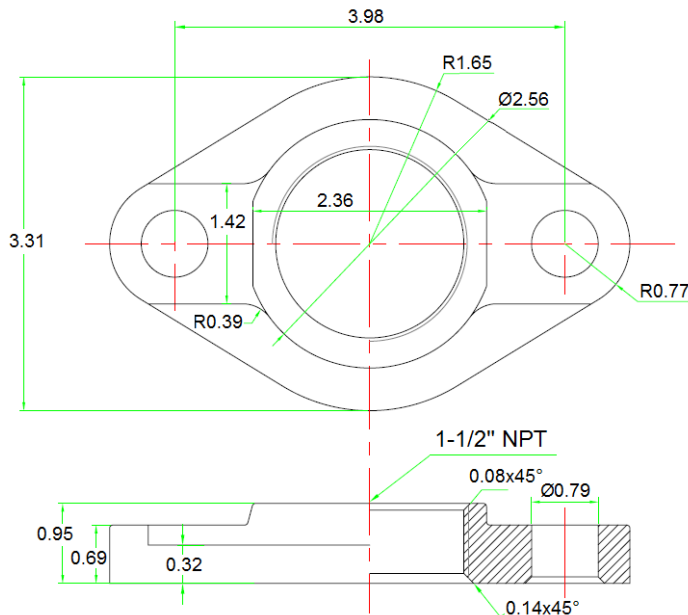
432 Cast Iron Meter Flange Kit • Spec Sheet



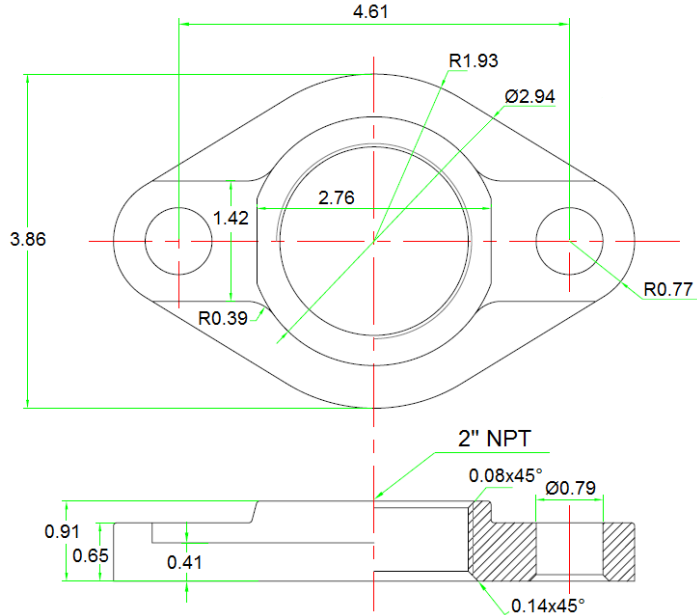
FEATURES & BENEFITS

- Cast Iron
- Oval
- IPS Only
- Sizes - 1-1/2" and 2"
- Each Kit Includes: 2 Flanges, 2 Gaskets, 4 Nuts and 4 Bolts

432T07P



432T08P



MATCO-NORCA

Global sourcing. National compliance. Local service.

CALIFORNIA 5593 Fresca Dr., La Palma CA 90623 • Toll Free: 866-532-8306 • Fax: 866-532-8307
TEXAS 1150 Silber Rd., Houston TX 77055 • Toll Free: 800-935-5456 • Fax: 713-680-2999
NEW YORK PO Box 27, Rt. 22, Brewster NY 10509 • Toll Free: 800-431-2082 • Fax: 845-278-9056
 WEB: www.matco-norca.com EMAIL: mail@matco-norca.com