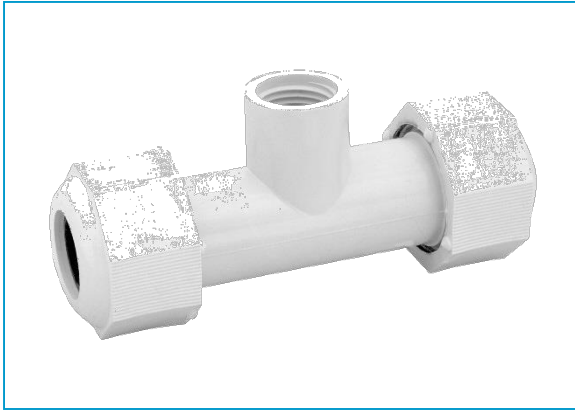


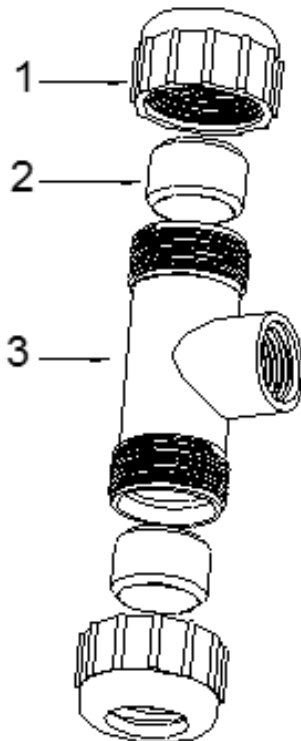
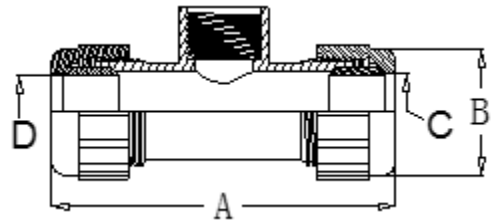
# 410T PVC Compression Tee • Spec Sheet



## FEATURES & BENEFITS

- 150 PSI at 73°F
- Threaded ends comply with ANSI B1.20.1
- Meets NSF Standards

\*Pipe must be restrained after installation



## MATERIAL SPECIFICATIONS

No.	Part	Material
1	Nut (2)	PVC
2	Gasket (2)	Rubber
3	Body	PVC

## DIMENSIONS

Part #	Size	A	B	C	D
410T03	1/2"	5.20	1.30	0.89	0.80
410T04	3/4"	5.49	1.96	1.13	1.00
410T05	1"	5.97	2.20	1.35	1.30
410T06	1-1/4"	6.30	2.65	1.72	1.60
410T07	1-1/2"	6.87	2.90	2.00	1.85
410T08	2"	7.63	3.44	2.43	2.34



**CALIFORNIA** 5595 Fresca Dr., La Palma CA 90623  
**TEXAS** 1150 Silber Rd., Houston TX 77055  
**ILLINOIS** 278 Windy Point Dr., Glendale Heights, IL 60139  
**NEW YORK** PO Box 27, Rt.22, Brewster NY 10509  
 WEB: [www.matco-norca.com](http://www.matco-norca.com)

• Phone: 866-532-8306 • Fax: 866-532-8307  
 • Phone: 800-935-5456 • Fax: 713-680-2999  
 • Phone: 844-412-5068 • Fax: 800-640-2252  
 • Phone: 800-431-2082 • Fax: 845-278-9056  
 EMAIL: [mail@matco-norca.com](mailto:mail@matco-norca.com)