

# 405CSF Cast Steel Flanged Globe Valve • Spec Sheet

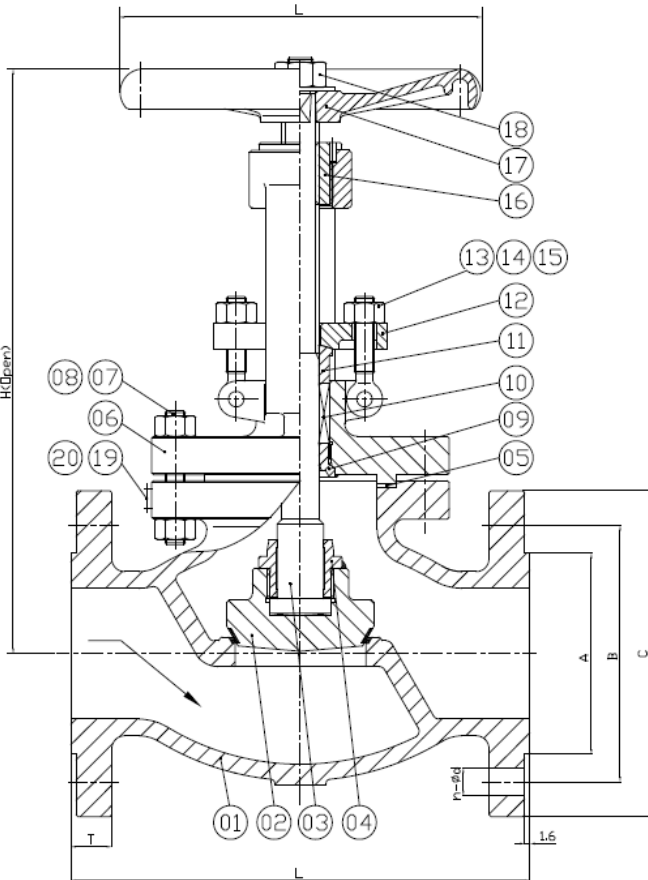


## FEATURES & BENEFITS

- Cast Steel Flanged Globe Valve
- 150lb. Flanged Connection
- Outside Screw & Yoke
- ASTM A216 WCB
- NACE MR0175
- API 600
- Maximum Pressure 285 PSI
- Maximum Temperature 1000°F
- Max Steam Pressure Rating 193 PSIG @ 385°F
- Sizes 2" – 12"

## MATERIAL SPECIFICATIONS

No.	Part	Material
1	Body	ASTM A216 WCB
2	Disc	ASTM A105+13Cr
3	Stem	ASTM A182 F6a
4	Disk Nut	SS
5	Gasket	304+Flexible Graphite
6	Bonnet	ASTM A216 WCB
7	Bonnet Bolt	ASTM A193 B7
8	Nut	ASTM A194 2H
9	Back Seat	ASTM A276 410
10	Packing	Flexible Graphite
11	Gland	ASTM A276 410
12	Gland Flange	ASTM A216 WCB
13	Pin	CS
14	Stud	ASTM A193 B7
15	Nut	ASTM A194 2H
16	Stem Nut	ASTM A536 FCD45
17	Handwheel	ASTM A47 32510
18	Nut	ASTM A194 2H
19	Rivet	SS
20	Name Plate	SS
21	Seat	ASTM A105+13Cr



## DIMENSIONS

Part #	Size	L	A	B	C	T	H	W	n-Ø
405CSF08	2"	8.00	3.62	4.75	5.99	0.63	13.44	7.88	4 - 3/4
405CSF09	2-1/2"	8.51	4.14	5.50	7.01	0.69	14.46	9.85	4 - 3/4
405CSF10	3"	9.50	5.00	6.01	7.49	0.75	14.78	9.85	4 - 3/4
405CSF11	4"	11.50	6.19	7.51	9.02	0.95	19.03	11.82	8 - 3/4
405CSF13	6"	16.00	8.51	9.52	10.99	1.02	23.13	13.79	8 - 7/8
405CSF14	8"	19.50	10.64	11.76	13.51	1.14	23.25	15.76	8 - 7/8
405CSF15	10"	24.51	12.77	14.38	16.00	1.22	35.07	24.82	12 - 1
405CSF16	12"	27.50	15.01	17.02	19.03	1.26	41.17	27.97	12 - 1



**CALIFORNIA** 5595 Fresca Dr., La Palma CA 90623  
**TEXAS** 1150 Silber Rd., Houston TX 77055  
**ILLINOIS** 278 Windy Point Dr., Glendale Heights, IL 60139  
**GEORGIA** 113 Industrial Blvd., Americus, Georgia 31709  
**NEW YORK** PO Box 27, Rt.22, Brewster NY 10509  
 WEB: [www.matco-norca.com](http://www.matco-norca.com)

• Phone: 866-532-8306 • Fax: 866-532-8307  
 • Phone: 800-935-5456 • Fax: 713-680-2999  
 • Phone: 844-412-5068 • Fax: 800-640-2252  
 • Phone: 800-433-7526 • Fax: 800-533-5134  
 • Phone: 800-431-2082 • Fax: 845-278-9056

EMAIL: [mail@matco-norca.com](mailto:mail@matco-norca.com)