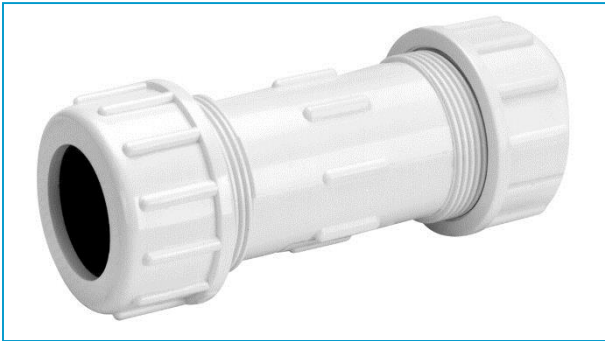


400 PVC Compression Coupling • Spec Sheet

Sizes 1/2" - 4"



FEATURES & BENEFITS

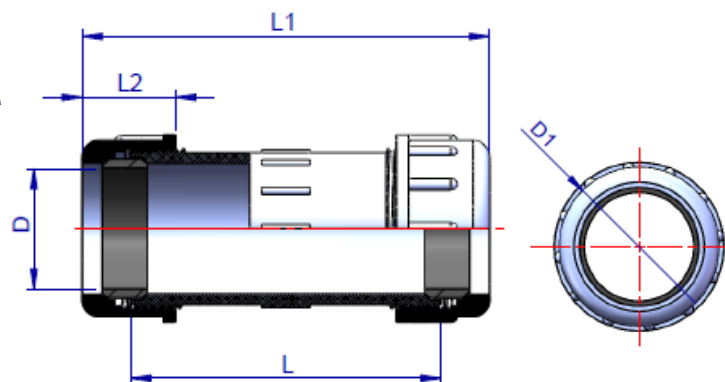
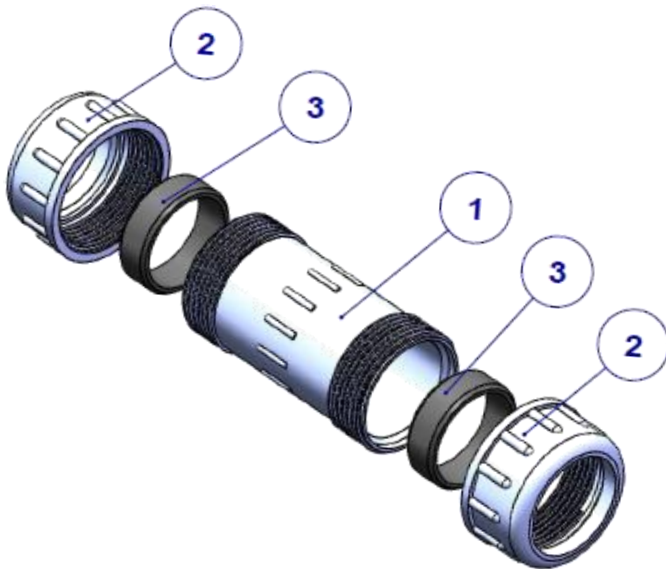
- 150 PSI @ 73° F
- Fits Iron Pipe Size
- IPS Connection
- Sizes 1/2" – 6"

MATERIAL SPECIFICATIONS

No.	Part	Material
1	Body	PVC
2	Cap	PVC
3	Seal Set	NBR

DIMENSIONS

Part #	Size (D)	L	L1	L2	D1
400T03	1/2"	3.90	4.9	1.15	1.64
400T04	3/4"	4.23	5.6	1.25	1.87
400T05	1"	4.52	5.7	1.39	2.23
400T06	1-1/4"	5.12	6.3	1.41	2.60
400T07	1-1/2"	5.41	6.5	1.60	3.00
400T08	2"	6.03	7.8	1.80	3.0
400T09	2-1/2"	7.60	9.3	2.00	4.05
400T10	3"	8.96	10.8	2.14	5.00
400T11	4"	9.90	11.9	2.46	6.02

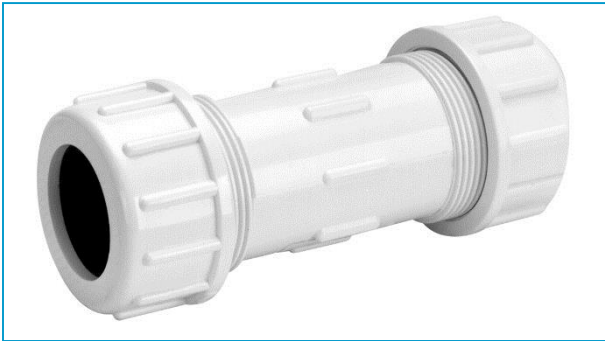


MATCO-NORCA
Global sourcing. National compliance. Local service.

CALIFORNIA 5593 Fresca Dr., La Palma CA 90623 • Toll Free: 866-532-8306 • Fax: 866-532-8307
TEXAS 1150 Silber Rd., Houston TX 77055 • Toll Free: 800-935-5456 • Fax: 713-680-2999
NEW YORK PO Box 27, Rt. 22, Brewster NY 10509 • Toll Free: 800-431-2082 • Fax: 845-278-9056
 WEB: www.matco-norca.com EMAIL: mail@matco-norca.com

400 PVC Compression Coupling • Spec Sheet

Size 6"

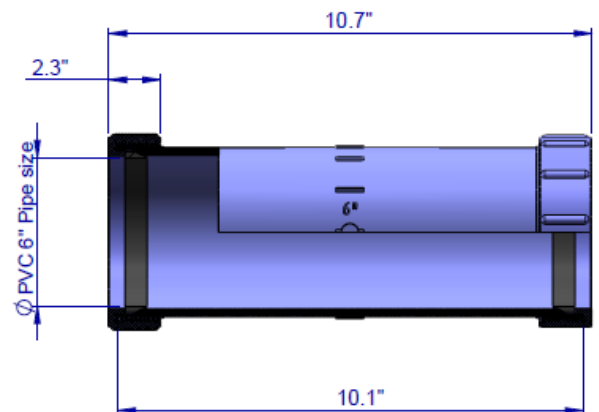
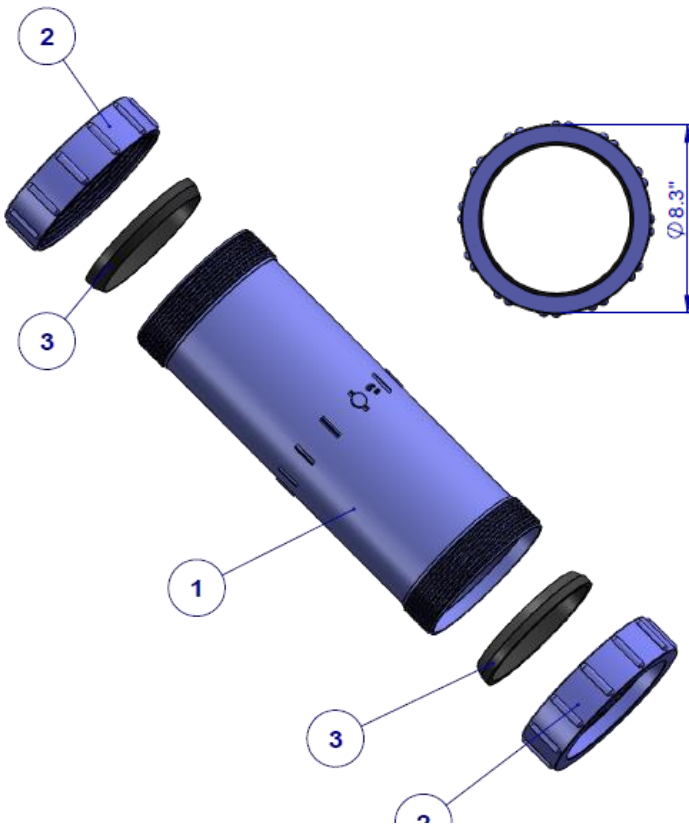


FEATURES & BENEFITS

- 150 PSI @ 73° F
- Fits Iron Pipe Size
- IPS Connection
- Sizes 1/2" – 6"

MATERIAL SPECIFICATIONS

No.	Part	Material
1	Body	PVC
2	Cap	PVC
3	Seal Set	NBR



 **MATCO-NORCA**
Global sourcing. National compliance. Local service.

CALIFORNIA 5593 Fresca Dr., La Palma CA 90623 • Toll Free: 866-532-8306 • Fax: 866-532-8307
TEXAS 1150 Silber Rd., Houston TX 77055 • Toll Free: 800-935-5456 • Fax: 713-680-2999
NEW YORK PO Box 27, Rt. 22, Brewster NY 10509 • Toll Free: 800-431-2082 • Fax: 845-278-9056
WEB: www.matco-norca.com EMAIL: mail@matco-norca.com