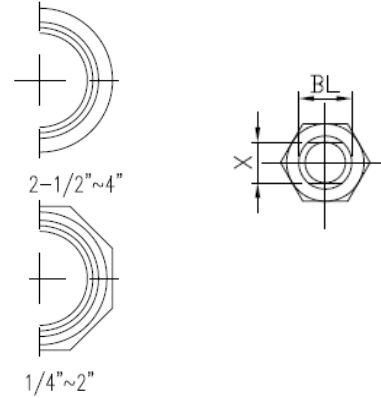
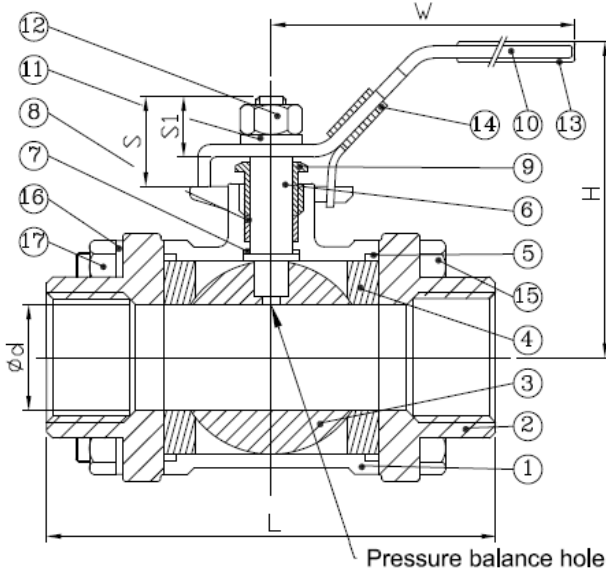


30SSTH S.S. Threaded Ball Valve • Spec Sheet



FEATURES & BENEFITS

- Full Port
- Three Piece
- 150 lb. WSP
- W.P. 1000 WOG
- W.T. -4°F - 392°F
- 316 Stainless Steel Body
- Investment Casting
- Blow-out Proof Stem
- Locking Handle
- Thread Type: ASME B1.20.1 (NPT)
- Size 1/4" - 4"



DIMENSIONS

Part #	Size	Ød	L±2	H±5	W	S±1	S1±1	X	BL	Cv	Torque lb-ft	Weight (lb)
30SSTH01	1/4"	0.46	2.29	1.97	4.33	0.55	0.37	0.20	M8	6.6	3.33	0.84
30SSTH02	3/8"	0.49	2.29	1.97	4.33	0.55	0.37	0.20	M8	6.6	3.33	0.79
30SSTH03	1/2"	0.59	2.70	2.17	4.53	0.64	0.43	0.20	M8	11.2	4.48	0.95
30SSTH04	3/4"	0.79	3.31	2.36	5.32	0.78	0.47	0.26	M8	21	6.15	1.52
30SSTH05	1"	0.99	3.51	2.84	5.71	0.83	0.57	0.32	M10	34	8.82	2.29
30SSTH06	1-1/4"	1.26	4.41	3.07	5.71	0.83	0.57	0.32	M10	57	12.48	3.57
30SSTH07	1-1/2"	1.50	4.77	3.59	6.90	1.04	0.69	0.35	M12	80	16.64	5.05
30SSTH08	2"	1.97	5.75	4.14	6.90	1.04	0.69	0.35	M12	150	23.29	7.21
30SSTH09	2-1/2"	2.56	6.50	5.00	10.24	1.43	0.91	0.47	M16	265	39.93	15.52
30SSTH10	3"	3.15	7.21	5.40	10.24	1.25	0.91	0.47	M16	526	62.42	25.79
30SSTH11	4"	3.94	9.14	6.78	12.21	1.79	1.06	0.63	M24	780	91.50	48.50

MATERIAL SPECIFICATIONS

No.	Part	Material
1	Body	Stainless Steel 316
2	Cap	Stainless Steel 316
3	Ball	Stainless Steel 316
4	Ball Seat	R.PTFE
5	Joint Gasket	R.PTFE
6	Stem	Stainless Steel AISI 316
7	Thrust Washer	R.PTFE
8	Stem Packing	R.PTFE
9	Gland Nut	Stainless Steel AISI 304
10	Handle	Stainless Steel AISI 430
11	Stem Washer	Stainless Steel AISI 304
12	Stem Nut	Stainless Steel AISI 304
13	Handle Sleeve	PVC
14	Lock Device	Stainless Steel AISI 430
15	Bolt	Stainless Steel AISI 304
16	Spring Washer	Stainless Steel AISI 304
17	Hex Nut	Stainless Steel AISI 304



CALIFORNIA 5595 Fresca Dr., La Palma CA 90623
TEXAS 1150 Silber Rd., Houston TX 77055
ILLINOIS 278 Windy Point Dr., Glendale Heights, IL 60139
GEORGIA 113 Industrial Blvd., Americus, Georgia 31709
NEW YORK PO Box 27, Rt.22, Brewster NY 10509
 WEB: www.matco-norca.com

• Phone: 866-532-8306 • Fax: 866-532-8307
 • Phone: 800-935-5456 • Fax: 713-680-2999
 • Phone: 844-412-5068 • Fax: 800-640-2252
 • Phone: 800-433-7526 • Fax: 800-533-5134
 • Phone: 800-431-2082 • Fax: 845-278-9056
 EMAIL: mail@matco-norca.com