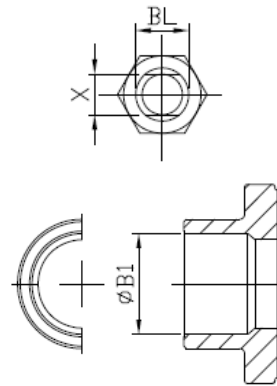
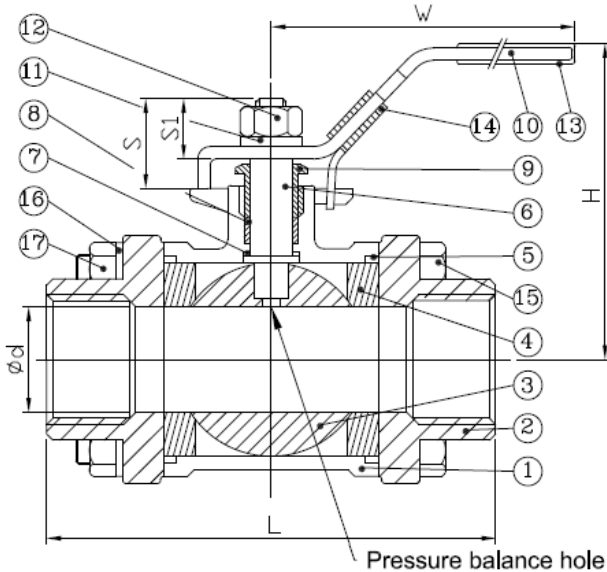


# 30CSSW Carbon Steel Socket Weld Ball Valve • Spec Sheet



## FEATURES & BENEFITS

- Full Port
- Three Piece
- 150 lb. WSP
- W.P. 1000 WOG
- W.T. -4°F - 392°F
- Investment Casting
- Blow-out Proof Stem
- Locking Handle
- Socket Weld Ends Conform to ANSI B16.11
- Size 1/4" - 4"



## DIMENSIONS

Part #	Size	Ød	L±2	H±5	W	ØB1	S±1	S1±1	X	BL	Cv	Torque lb-ft	Weight (lb)
30CSSW01	1/4"	0.46	2.29	1.97	4.33	0.55	0.55	0.37	0.20	M8	6.6	3.33	0.84
30CSSW02	3/8"	0.49	2.29	1.97	4.33	0.71	0.55	0.37	0.20	M8	6.6	3.33	0.79
30CSSW03	1/2"	0.59	2.70	2.17	4.53	0.85	0.64	0.43	0.20	M8	11.2	4.48	0.95
30CSSW04	3/4"	0.79	3.31	2.36	5.32	1.07	0.78	0.47	0.26	M8	21	6.15	1.52
30CSSW05	1"	0.99	3.51	2.84	5.71	1.34	0.83	0.57	0.32	M10	34	8.82	2.29
30CSSW06	1-1/4"	1.26	4.41	3.07	5.71	1.69	0.83	0.57	0.32	M10	57	12.48	3.57
30CSSW07	1-1/2"	1.50	4.77	3.59	6.90	1.93	1.04	0.69	0.35	M12	80	16.64	5.05
30CSSW08	2"	1.97	5.75	4.14	6.90	2.42	1.04	0.69	0.35	M12	150	23.29	7.21
30CSSW09	2-1/2"	2.56	6.50	5.00	10.24	3.03	1.43	0.91	0.47	M16	265	39.93	15.52
30CSSW10	3"	3.15	7.21	5.40	10.24	3.53	1.25	0.91	0.47	M16	526	62.42	25.79
30CSSW11	4"	3.94	9.14	6.78	12.21	4.55	1.79	1.06	0.63	M24	780	91.50	48.50

## MATERIAL SPECIFICATIONS

No.	Part	Material
1	Body	Carbon Steel
2	Cap	Carbon Steel
3	Ball	Stainless Steel 304
4	Ball Seat	R.PTFE
5	Joint Gasket	R.PTFE
6	Stem	Stainless Steel AISI 304
7	Thrust Washer	R.PTFE
8	Stem Packing	R.PTFE
9	Gland Nut	Stainless Steel AISI 304
10	Handle	Stainless Steel AISI 430
11	Stem Washer	Stainless Steel AISI 304
12	Stem Nut	Stainless Steel AISI 304
13	Handle Sleeve	PVC
14	Lock Device	Stainless Steel AISI 430
15	Bolt	Stainless Steel AISI 304
16	Spring Washer	Stainless Steel AISI 304
17	Hex Nut	Stainless Steel AISI 304



**CALIFORNIA** 5595 Fresca Dr., La Palma CA 90623  
**TEXAS** 1150 Silber Rd., Houston TX 77055  
**ILLINOIS** 278 Windy Point Dr., Glendale Heights, IL 60139  
**GEORGIA** 113 Industrial Blvd., Americus, Georgia 31709  
**NEW YORK** PO Box 27, Rt.22, Brewster NY 10509  
 WEB: [www.matco-norca.com](http://www.matco-norca.com)

• Phone: 866-532-8306 • Fax: 866-532-8307  
 • Phone: 800-935-5456 • Fax: 713-680-2999  
 • Phone: 844-412-5068 • Fax: 800-640-2252  
 • Phone: 800-433-7526 • Fax: 800-533-5134  
 • Phone: 800-431-2082 • Fax: 845-278-9056  
 EMAIL: [mail@matco-norca.com](mailto:mail@matco-norca.com)