

300BVLF Long Bonnet Ball Valve • Spec Sheet



FEATURES & BENEFITS

- Lead Free Brass*
- ISO-9002
- 600 WOG
- Threaded or Solder Ends
- NSF Approved
- Size 1/2" & 3/4"

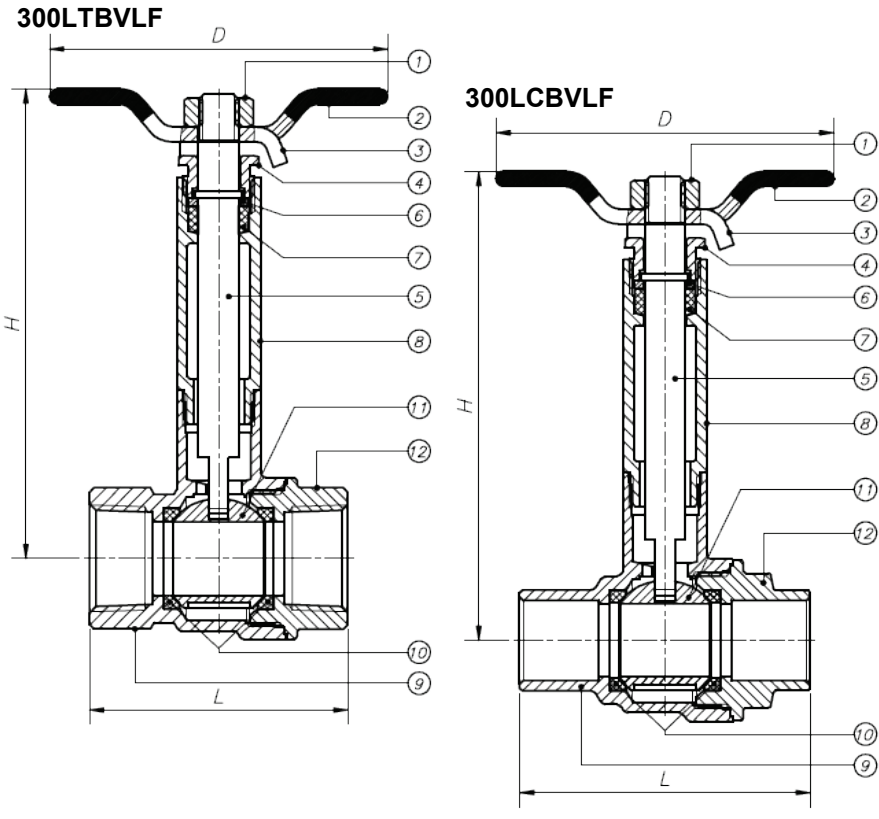
DIMENSIONS

Part #	Size	D	H	L
300LC3BVLF	1/2" C X C	2.72	3.70	2.27
300LT3BVLF	1/2" IPS	2.72	3.70	2.02
300LC4BVLF	3/4" C X C	2.72	3.84	2.75
300LT4BVLF	3/4" IPS	2.72	3.84	2.39

MATERIAL SPECIFICATIONS

No.	Part	Material
1	Handle Nut	Hot Rolled SAE 1010R
2	Handle Cover	Plastic
3	Handle	Hot Rolled SAE 1010R
4	Packing Nut	Brass C36000
5	Stem	Brass C89550
6	Washer	Brass C36000
7	Packing	PTFE
8	Packing House	Brass C89550
9	Body	Brass C89550
10	Ball Packing	PTFE
11	Ball	Brass C89550
12	Bonnet	Brass C89550

* These product complies with 0.25% weighted average lead content on wetted surfaces in accordance with Safe Water Drinking Act (SDWA) / Federal Public Law No. 111-380.



Global sourcing. National compliance. Local service.

CALIFORNIA 5933 Fresca Dr., La Palma CA 90623 • Toll Free: 866-532-8306 • Fax: 866-532-8307
TEXAS 1150 Silber Rd., Houston TX 77055 • Toll Free: 800-935-5456 • Fax: 713-680-2999
NEW YORK PO Box 27, Rt. 22, Brewster NY 10509 • Toll Free: 800-431-2082 • Fax: 845-278-9056
 WEB: www.matco-norca.com EMAIL: mail@matco-norca.com