

29-2001PXLF Straight Supply Valve • Spec Sheet



FEATURES & BENEFITS

- Chrome Plated Lead Free Brass*
- ISO-9002
- Dual Outlet
- Straight
- Mult Turn
- 1/2" Pex X 3/8" OD Comp X 3/8" OD

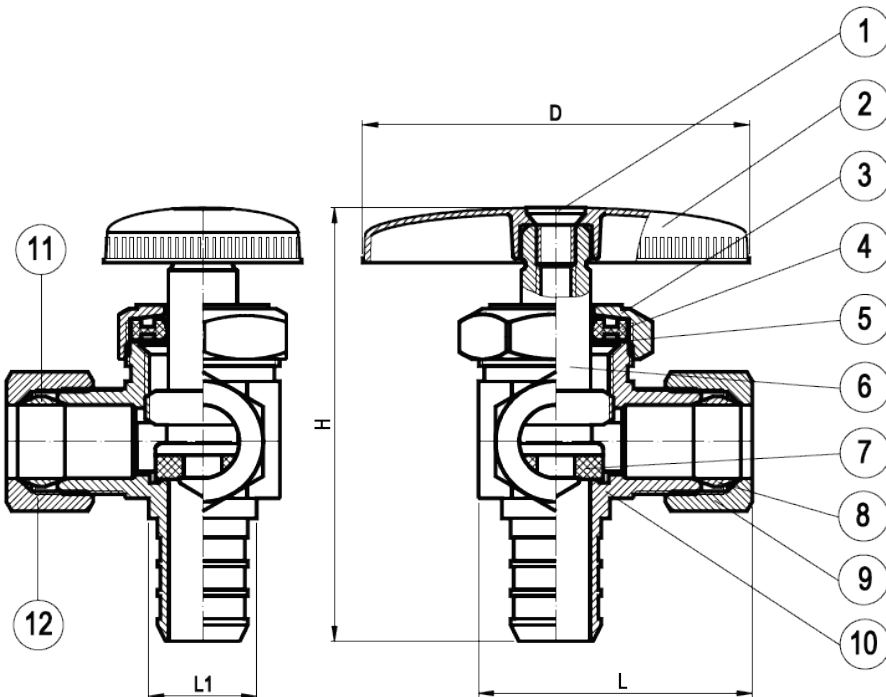
DIMENSIONS

H	L	L1	D
2.19	1.43	0.56	2.02

MATERIAL SPECIFICATIONS

No.	Part	Material
1	Bolt	JIS 3260 C2600W
2	Handle	Zinc Alloy Z30A
3	Bonnet	Brass B124 C37700
4	Packing	EPDM SN-719F
5	Washer	Stainless Steel 304
6	Stem	Brass C89550
7	Seat Packing	EPDM SN-719F
8	Sleeve	Brass C89550
9	Packing Nut	Brass B124 C37700
10	Body	Brass C89550
11	Sleeve	Brass C89550
12	Packing Nut	Brass B124 C37700

* These product complies with 0.25% weighted average lead content on wetted surfaces in accordance with Safe Water Drinking Act (SDWA) / Federal Public Law No. 111-380.



Global sourcing. National compliance. Local service.

CALIFORNIA 5593 Fresca Dr., La Palma CA 90623 • Toll Free: 866-532-8306 • Fax: 866-532-8307
TEXAS 1150 Silber Rd., Houston TX 77055 • Toll Free: 800-935-5456 • Fax: 713-680-2999
NEW YORK PO Box 27, Rt. 22, Brewster NY 10509 • Toll Free: 800-431-2082 • Fax: 845-278-9056
 WEB: www.matco-norca.com EMAIL: mail@matco-norca.com