

29-2001LF & 29-2001BLF Supply Valve • Spec Sheet



FEATURES & BENEFITS

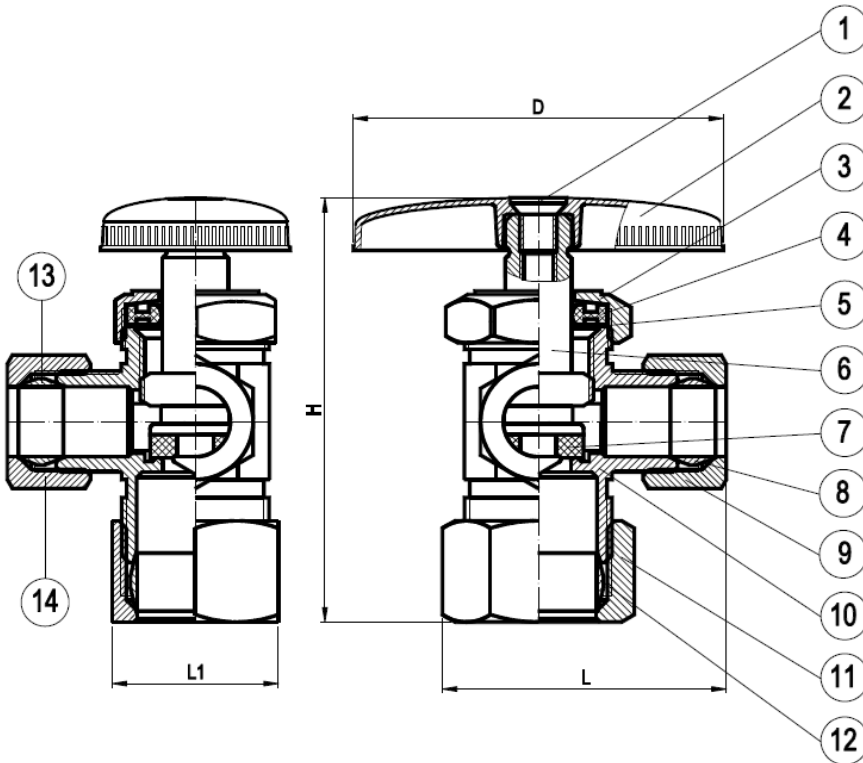
- Chrome Plated Lead Free Brass*
- Compression Dual Outlet
- Angle
- Multi Turn
- 5/8" OD X 3/8" OD X 3/8" OD

29-2001BLF

- Same As Above - Unplated

DIMENSIONS

H	L	L1	D
2.31	1.55	0.91	2.02



MATERIAL SPECIFICATIONS

No.	Part	Material
1	Bolt	JIS 3260 C2600W
2	Handle	Zinc Alloy Z30A
3	Bonnet	Brass B124 C37700
4	Packing	EPDM SN-719F
5	Washer	Stainless Steel 304
6	Stem	Plastic
7	Seat Packing	EPDM SN-719F
8	Sleeve	Brass C89550
9	Packing Nut	Brass B124 C37700
10	Body	Brass C89550
11	Packing Nut	Brass B124 C37700
12	Sleeve	Brass C89550
13	Sleeve	Brass C89550
14	Packing Nut	Brass B124 C37700

* These product complies with 0.25% weighted average lead content on wetted surfaces in accordance with Safe Water Drinking Act (SDWA) / Federal Public Law No. 111-380.

