

29-1040LF Angle Supply Valve • Spec Sheet



*Product will have LF imprinted on the body for Lead Free

FEATURES & BENEFITS

- Chrome Plated Lead Free Brass*
- Angle
- Multi Turn
- With 5" Chrome Extension & Bell Escutcheon
- 1/2" SWT X 3/8" OD Compression

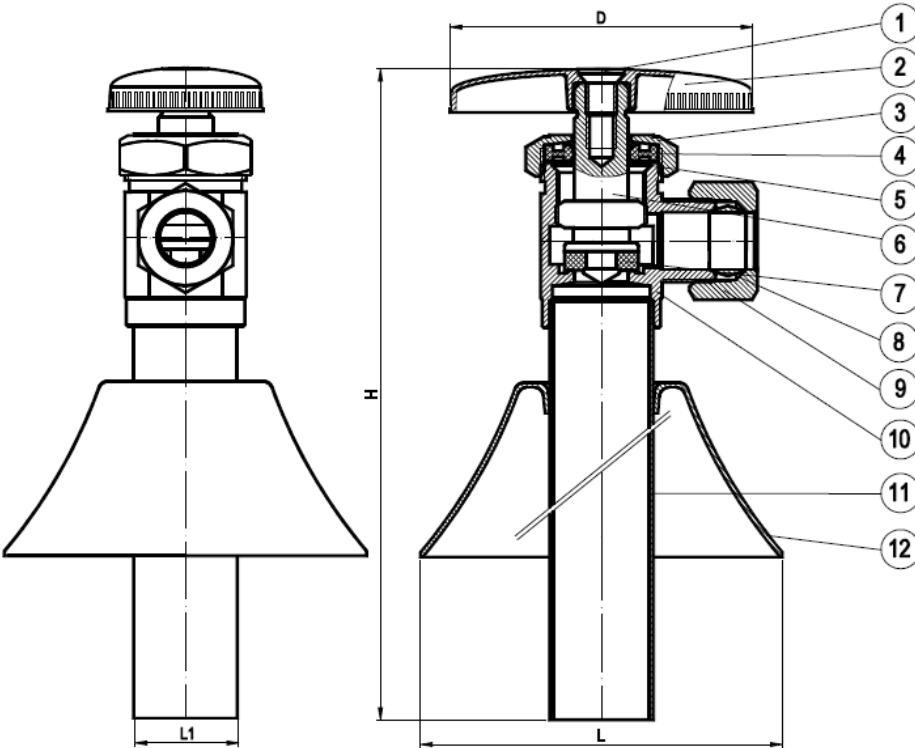
DIMENSIONS

H	L	L1	D
6.58	2.41	0.69	2.02

MATERIAL SPECIFICATIONS

No.	Part	Material
1	Bolt	JIS 3260 C2600W
2	Handle	Zinc Alloy Z30A
3	Bonnet	Brass B124 C37700
4	Packing	EPDM SN-719F
5	Washer	Stainless Steel 304
6	Stem	Plastic
7	Seat Packing	EPDM SN-719F
8	Sleeve	Brass C89550
9	Packing Nut	Brass B124 C37700
10	Body	Brass C89550
11	Drain Pipe	Brass C27000
12	Flange	Stainless Steel 304

* These product complies with 0.25% weighted average lead content on wetted surfaces in accordance with Safe Water Drinking Act (SDWA) / Federal Public Law No. 111-380.



MATCO
NORCA

29-1041LF Straight Supply Valve • Spec Sheet



FEATURES & BENEFITS

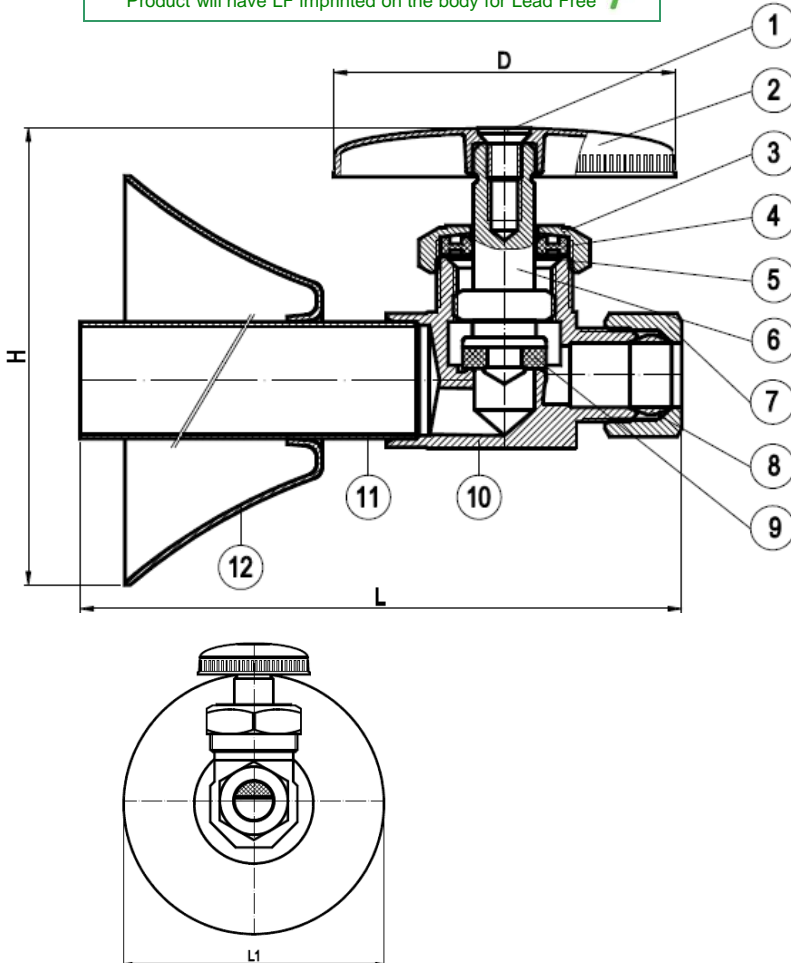
- Chrome Plated Lead Free Brass*
- Straight
- Multi Turn
- With 5" Chrome Extension & Bell Escutcheon
- 1/2" SWT X 3/8" OD Compression

DIMENSIONS

H	L	L1	D
2.69	6.57	2.41	2.02

MATERIAL SPECIFICATIONS

No.	Part	Material
1	Bolt	JIS 3260 C2600W
2	Handle	Zinc Alloy Z30A
3	Bonnet	Brass B124 C37700
4	Packing	EPDM SN-719F
5	Washer	Stainless Steel 304
6	Stem	Plastic
7	Seat Packing	EPDM SN-719F
8	Sleeve	Brass C89550
9	Packing Nut	Brass B124 C37700
10	Body	Brass C89550
11	Drain Pipe	Brass C27000
12	Flange	Stainless Steel 304



* These product complies with 0.25% weighted average lead content on wetted surfaces in accordance with Safe Water Drinking Act (SDWA) / Federal Public Law No. 111-380.

MATCO
NORCA