

# 29-1003LF & 29-1003BLF Supply Valve • Spec Sheet



## FEATURES & BENEFITS

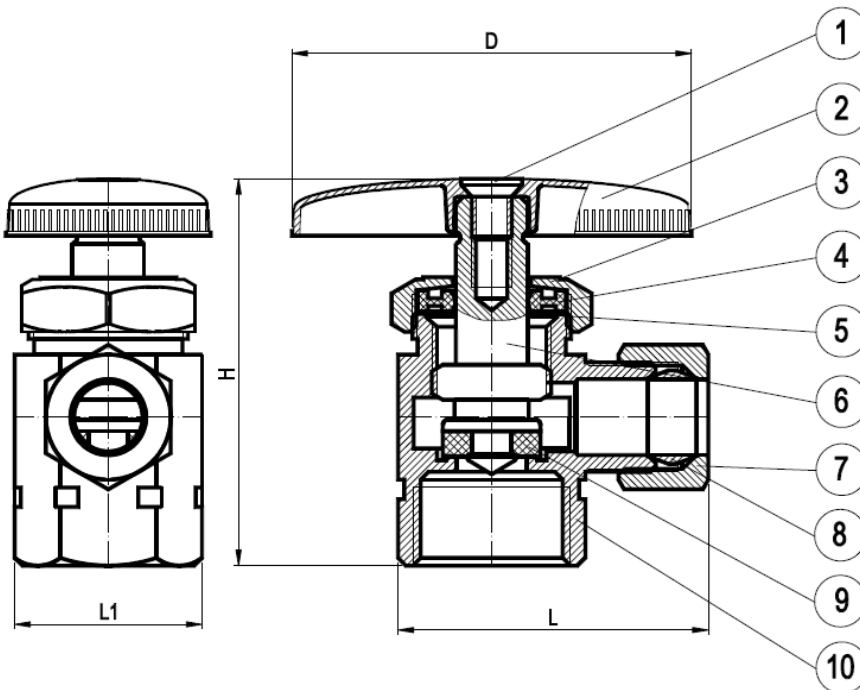
- Chrome Plated Lead Free Brass\*
- Multi Turn
- Angle
- 1/2" FIP X 3/8" OD Compression

## 29-1003BLF

- Same as Above - Unplated Brass

## DIMENSIONS

H	L	L1	D
1.95	1.57	0.95	2.02



## MATERIAL SPECIFICATIONS

No.	Part	Material
1	Bolt	JIS 3260 C2600W
2	Handle	Zinc Alloy Z30A
3	Bonnet	Brass B124 C37700
4	Packing	EPDM SN-719F
5	Washer	Stainless Steel 304
6	Stem	Plastic
7	Packing Nut	Brass B124 C37700
8	Sleeve	Brass C89550
9	Seat Packing	EPDM SN-719F
10	Body	Brass C89550

\* These product complies with 0.25% weighted average lead content on wetted surfaces in accordance with Safe Water Drinking Act (SDWA) / Federal Public Law No. 111-380.

