

26-2022LF Dual Outlet Angle Supply Valve

Specification Sheet

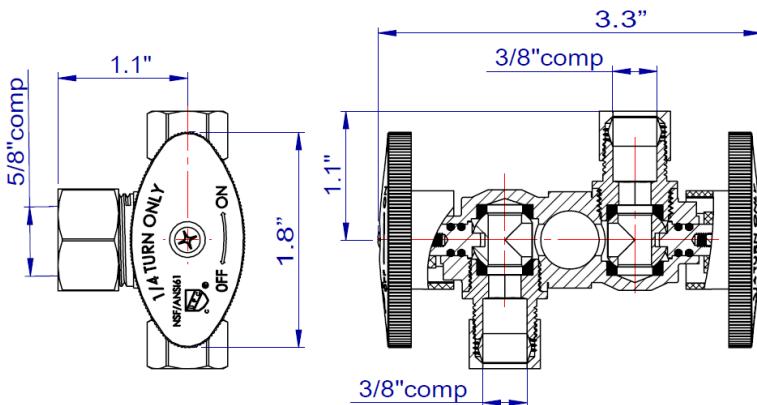
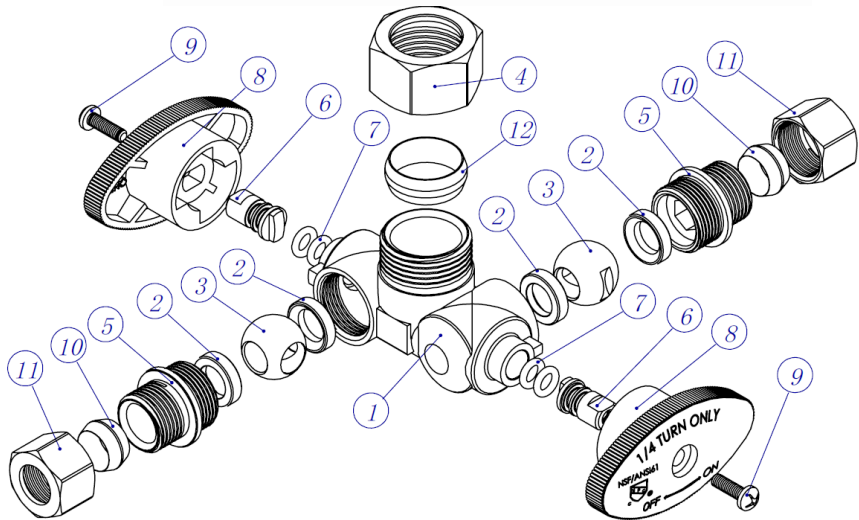
FEATURES & BENEFITS

- Chrome Plated Lead Free Brass
- cUPC, NSF/ANSI 61 Approved
- Certified to ASME A112.18.1 / CSA B125.1
- Dual Outlet Dual Shut-Off
- 125 PSI
- Angle
- Temp. Rating: 32°F - 160°F
- 1/2 in. Nom Comp Inlet x 3/8 in. O.D. Comp x 3/8 in. O.D. Comp



MATERIAL SPECIFICATIONS

No.	Part	Material	QTY
1	Body	Brass C46500	1
2	Packing	PTFE	4
3	Ball	Brass C46500	2
4	Packing Nut	Brass C38500	1
5	Outlet Nut	Brass C46500	2
6	Stem	Brass HPB59-1	2
7	O-Ring	NBR	4
8	Handle	ABS	2
9	Bolt	Stainless Steel	2
10	Sleeve	Brass H62	2
11	Packing Nut	Brass C38500	2
12	Sleeve	Brass H62	1



MATCO
NORCA