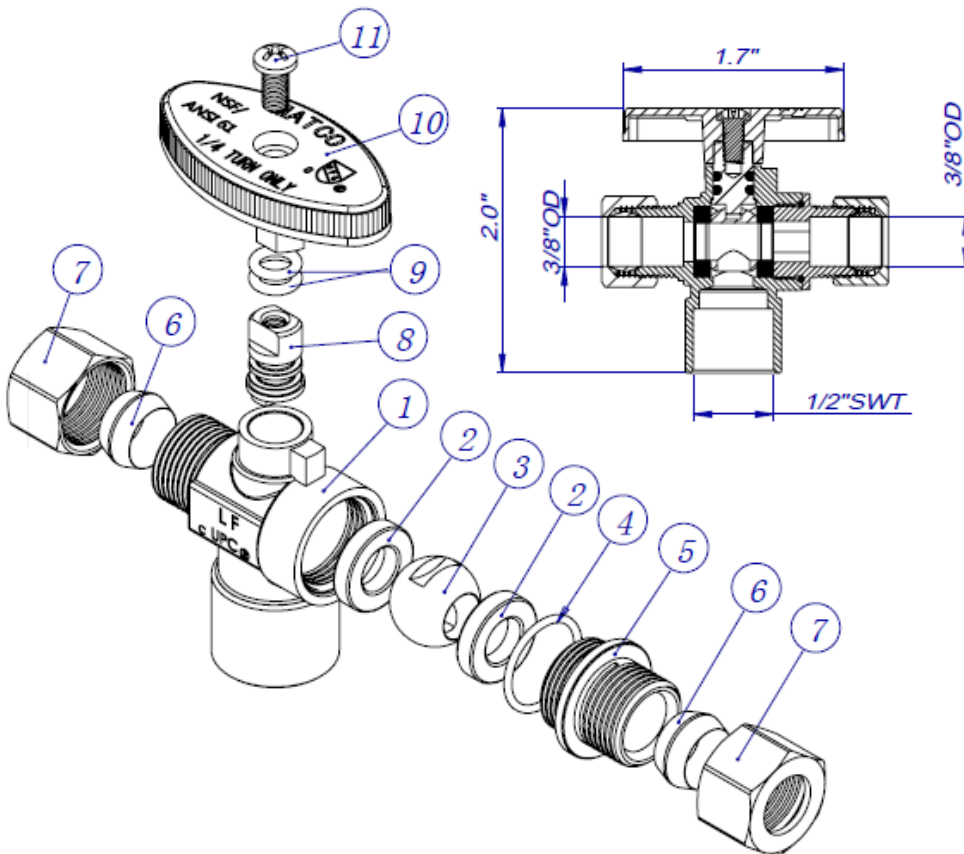
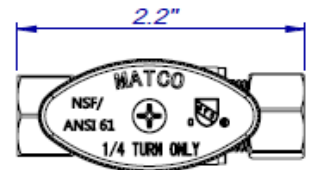


26-2009BLF Angle Supply Valve • Spec Sheet



FEATURES & BENEFITS

- Unplated Plated Lead Free Brass*
- Angle
- 1/4 Turn
- Oval Handle
- cUPC, NSF/ANSI 61 Approval
- 1/2" SWT x 3/8" OD x 3/8" OD



MATERIAL SPECIFICATIONS

No.	Part	Material
1	Body	LF Brass
2	Packing	PTFE
3	Ball	LF Brass
4	O-Ring	NBR
5	Outlet Nut	LF Brass
6	Sleeve	LF Brass
7	Packing Nut	Brass
8	Stem	Brass
9	O-Ring	NBR
10	Handle	Zinc Alloy
11	Bolt	Iron



*This product complies with 0.25% weighted average lead content on wetted surfaces in accordance with the Safe Drinking Water Act (SDWA) / Federal Public Law No. 111-380.

Global sourcing. National compliance. Local service.

CALIFORNIA 5595 Fresca Dr., La Palma CA 90623
TEXAS 1150 Silber Rd., Houston TX 77055
ILLINOIS 278 Windy Point Dr., Glendale Heights, IL 60139
GEORGIA 113 Industrial Blvd., Americus, Georgia 31709
NEW YORK PO Box 27, Rt.22, Brewster NY 10509
 WEB: www.matco-norca.com

• Phone: 866-532-8306 • Fax: 866-532-8307
 • Phone: 800-935-5456 • Fax: 713-680-2999
 • Phone: 844-412-5068 • Fax: 800-640-2252
 • Phone: 800-433-7526 • Fax: 800-533-5134
 • Phone: 800-431-2082 • Fax: 845-278-9056
 EMAIL: mail@matco-norca.com