

26-2003PCLF Dual Angle Push Supply Valve

Specification Sheet

FEATURES & BENEFITS

- Chrome Plated Lead Free Brass
- 1/4 Turn
- Dual Outlet
- One Piece Body
- cUPC, NSF/ANSI 61 Certified
- Compatible with Copper Tube, PEX, & CPVC
- 1/2" Push x 3/8" OD Compression x 3/8" OD Compression

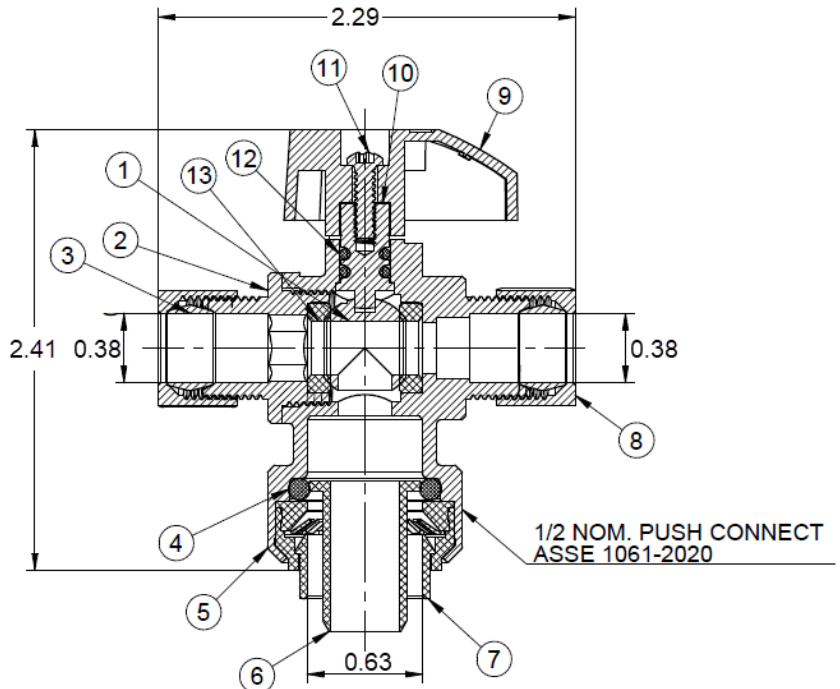


Push Connect
Removal Tool
Available
Part # 26-PCRT



MATERIAL SPECIFICATIONS

No.	Part	Material
1	Ball	C46500
2	Adapter	C46500
3	Sleeve	H62
4	O-Ring	EPDM
5	Body	C46500
6	Stiffener	PSU
7	Plastic Assembly	POM+SUS304
8	Sleeve Nut	C37700
9	Handle	Zamak5
10	Stem	C46500
11	Handle Screw	AISI201
12	O-Ring	EPDM
13	Seat	PTFE



MATCO
NORCA