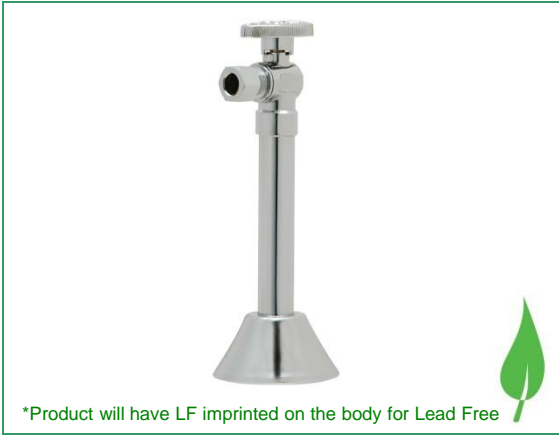


26-1041LF Angle Supply Valve • Spec Sheet



FEATURES & BENEFITS

- Chrome Plated Lead Free Brass
- Angle
- Oval Handle
- Quarter Turn
- 1/2 " Sweat x 3/8 OD Compression
- With 5" Chrome Plate Tube & Escutcheon

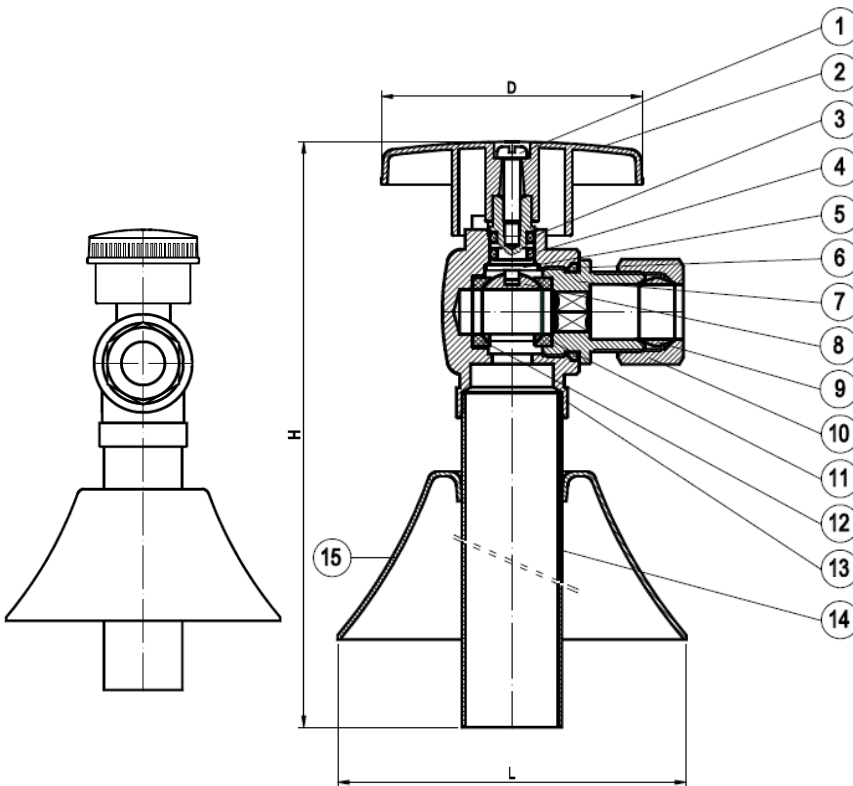
DIMENSIONS

H	L	D
6.70	2.41	1.79

MATERIAL SPECIFICATIONS

No.	Part	Material
1	Bolt	Rod Carbon Steel SAE 1006
2	Handle	Zinc Alloy
3	O-Ring	EPDM SN-719F
4	O-Ring	EPDM SN-719F
5	Stem	Brass C89550
6	O-Ring	EPDM SN-719F
7	Outlet Nut	Brass C89550
8	Ball	Brass C89550
9	Sleeve	Brass C89550
10	Packing Nut	Brass B124 C37700
11	Packing	Plastic POM-M90
12	Packing	Plastic POM-M90
13	Body	Brass C89550
14	Drain Pipe	Brass C27000
15	Flange	Stainless Steel 304

* These product complies with 0.25% weighted average lead content on wetted surfaces in accordance with Safe Water Drinking Act (SDWA) / Federal Public Law No. 111-380.



MATCO
NORCA