

# 26-1040LF Angle Supply Valve

## Specification Sheet

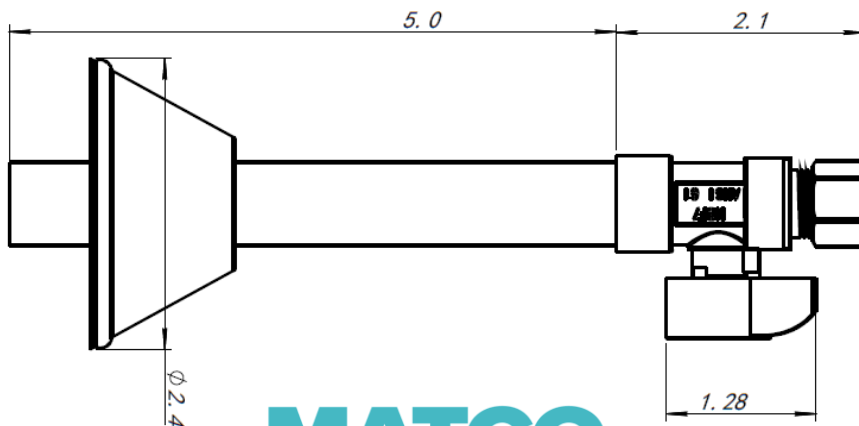
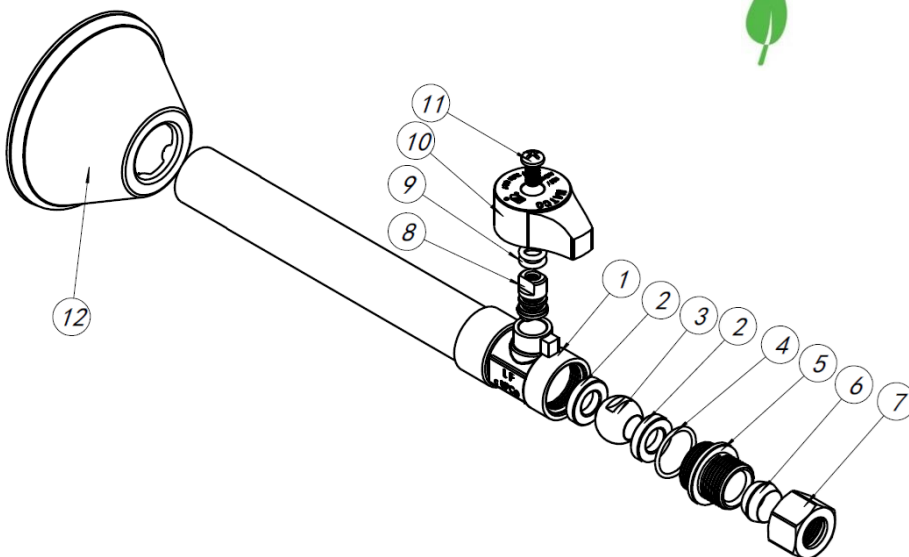
### FEATURES & BENEFITS

- Chrome Plated Lead Free Brass
- NSF & UPC Approved
- 125 PSI
- Straight
- With 5" Chrome Plate Tube & Escutcheon
- Temp. Rating: 32°F - 160°F
- 1/2" Sweat x 3/8" OD Compression



### MATERIAL SPECIFICATIONS

No.	Part	Material	QTY
1	Body	Brass LF	1
2	Packing	PTFE	2
3	Ball	Brass LF	1
4	O-Ring	NBR	1
5	Outlet Nut	Brass LF	1
6	Sleeve	Brass LF	1
7	Packing Nut	Brass	1
8	Stem	Brass	1
9	O-Ring	NBR	2
10	Handle	Zinc Alloy	1
11	Bolt	FE	1
12	Cover	S.S.	1



**MATCO**  
**NORCA**