

26-1019LF Angle Supply Valve

Specification Sheet

FEATURES & BENEFITS

- Chrome Plated Lead Free Brass
- NSF & UPC Approved
- 125 PSI
- Angle
- Temp. Rating: 32°F - 160°F
- 5/8" OD Compression x 3/8" OD Compression

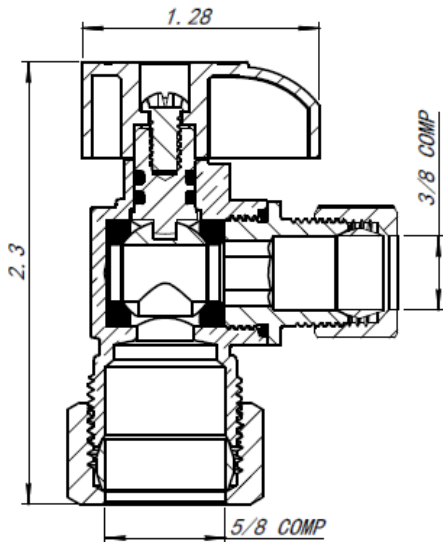
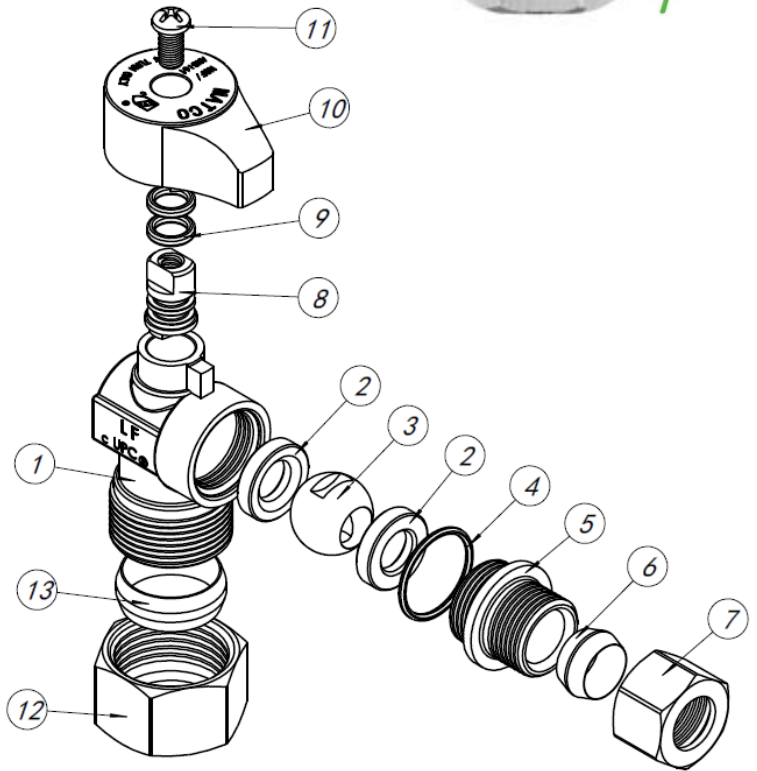
26-1019BLF

- Same As Above - Unplated Brass



MATERIAL SPECIFICATIONS

No.	Part	Material	QTY
1	Body	Brass LF	1
2	Packing	PTFE	2
3	Ball	Brass LF	1
4	O-Ring	NBR	1
5	Outlet Nut	Brass LF	1
6	Sleeve	Brass LF	1
7	Packing Nut	Brass	1
8	Stem	Brass	1
9	O-Ring	NBR	2
10	Handle	Zinc Alloy	1
11	Bolt	FE	1
12	Packing Nut	Brass	1
13	Sleeve	Brass LF	1



MATCO
NORCA