

26-1016PCLF Straight Push Supply Valve

Specification Sheet

FEATURES & BENEFITS

- Chrome Plated Lead Free Brass
- 1/4 Turn
- One Piece Body
- cUPC, NSF/ANSI 61 Certified
- Compatible with Copper Tube, PEX, & CPVC
- 1/2" Push x 1/4" OD Compression

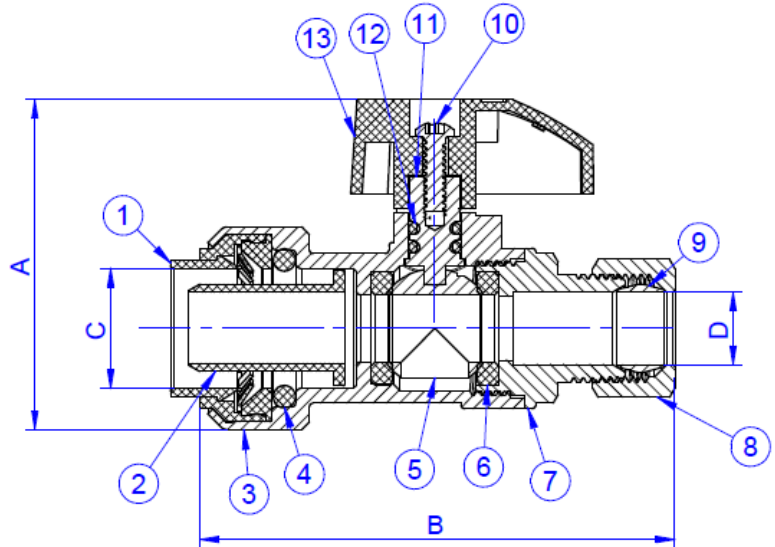


DIMENSIONS

Size	A	B	C	D
1/2" x 1/4"	1.74	2.50	0.63	0.25

MATERIAL SPECIFICATIONS

No.	Part	Material
1	Plastic Assembly	POM+SUS304
2	Stiffener	PSU
3	Body	C46500
4	O-Ring	EPDM
5	Ball	C46500
6	Seat	PTFE
7	Adapter	C46500
8	Sleeve Nut	C37700
9	Sleeve	H62
10	Handle Screw	AISI201
11	Stem	C46500
12	O-Ring	EPDM
13	Handle	Zamak5



Push Connect
Removal Tool
Available
Part # 26-PCRT

