

# 26-1014LF Straight Supply Valve • Spec Sheet



## FEATURES & BENEFITS

- Chrome Plated Lead Free Brass\*
- 1/4 Turn
- 5/8" OD Compression X 3/8" OD Compression

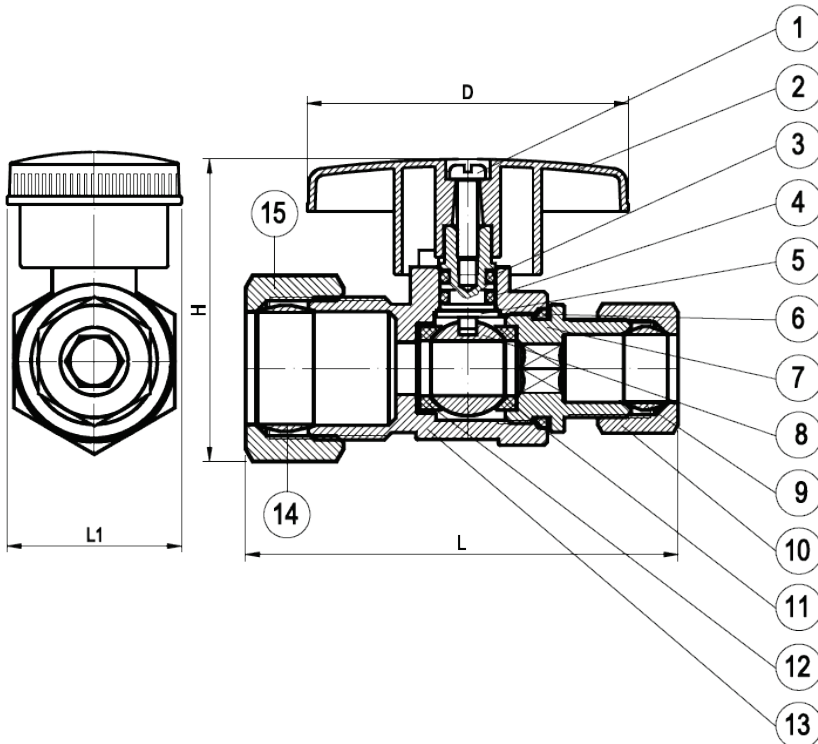
## DIMENSIONS

H	L	L1	D
1.70	2.43	0.98	1.79

## MATERIAL SPECIFICATIONS

No.	Part	Material
1	Bolt	Rod Carbon Steel SAE 1006
2	Handle	Zinc Alloy
3	O-Ring	EPDM SN-719F
4	O-Ring	EPDM SN-719F
5	Stem	Brass C89550
6	O-Ring	EPDM SN-719F
7	Outlet Nut	Brass C89550
8	Ball	Brass C89550
9	Sleeve	Brass C89550
10	Packing Nut	Brass B124 C37700
11	Packing	Plastic POM-M90
12	Packing	Plastic POM-M90
13	Body	Brass C89550
14	Sleeve	Brass C89550
15	Packing Nut	Brass B124 C37700

\* These product complies with 0.25% weighted average lead content on wetted surfaces in accordance with Safe Water Drinking Act (SDWA) / Federal Public Law No. 111-380.



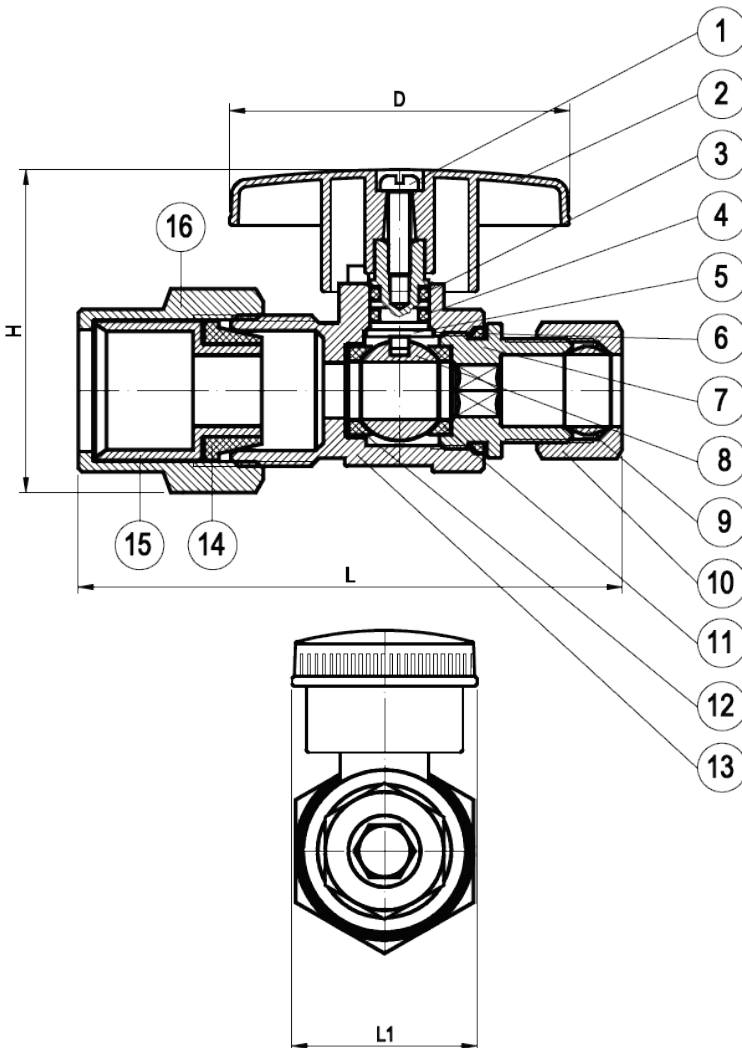
# 26-1014CPVCLF Straight Supply Valve • Spec Sheet

## FEATURES & BENEFITS

- Chrome Plated Lead Free Brass\*
- 1/4 Turn
- 5/8" OD CPVC Compression X 3/8" OD Compression

## DIMENSIONS

H	L	L1	D
1.72	2.90	0.98	1.79



## MATERIAL SPECIFICATIONS

No.	Part	Material
1	Bolt	Rod Carbon Steel SAE 1006
2	Handle	Zinc Alloy
3	O-Ring	EPDM SN-719F
4	O-Ring	EPDM SN-719F
5	Stem	Brass C89550
6	O-Ring	EPDM SN-719F
7	Outlet Nut	Brass C89550
8	Ball	Brass C89550
9	Sleeve	Brass C89550
10	Packing Nut	Brass B124 C37700
11	Packing	Plastic POM-M90
12	Packing	Plastic POM-M90
13	Body	Brass C89550
14	Packing	EPDM SN-719F
15	Packing CPVD	Plastic POM-M90
16	Packing Nut	Brass B124 C37700

\* These product complies with 0.25% weighted average lead content on wetted surfaces in accordance with Safe Water Drinking Act (SDWA) / Federal Public Law No. 111-380.

