

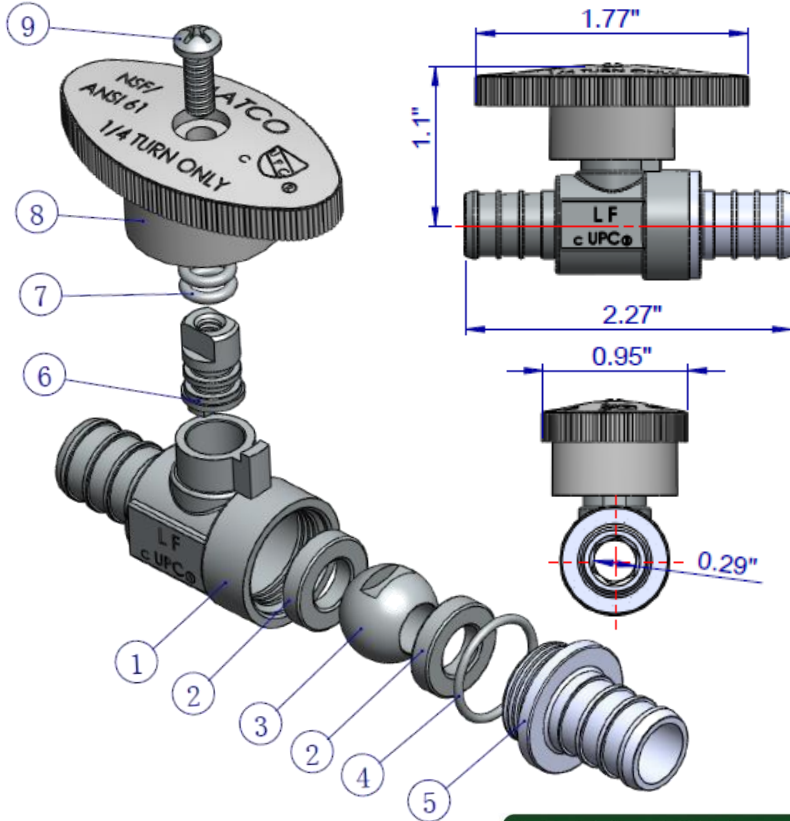
26-1012PXLF Straight Supply Valve PEX • Spec Sheet



*Product will have LF imprinted on the body for Lead Free

FEATURES & BENEFITS

- Chrome Plated Lead Free Brass*
- NSF & UPC Approved
- 1/4 Turn
- Straight Stop
- 1/2" PEX x 1/2" PEX



MATERIAL SPECIFICATIONS

| | Part | Material |
|---|------------|-----------------|
| 1 | Body | Brass C46500 |
| 2 | Packing | PTFE |
| 3 | Ball | Brass C46500 |
| 4 | O-Ring | NBR |
| 5 | Outlet Nut | Brass C46500 |
| 6 | Stem | Brass HPB59-1 |
| 7 | O-Ring | NBR |
| 8 | Handle | ABS |
| 9 | Bolt | Stainless Steel |

* These product complies with 0.25% weighted average lead content on wetted surfaces in accordance with Safe Water Drinking Act (SDWA) / Federal Public Law No. 111-380.



Global sourcing. National compliance. Local service.

CALIFORNIA 5593 Fresca Dr., La Palma CA 90623 • Toll Free: 866-532-8306 • Fax: 866-532-8307
TEXAS 1150 Silber Rd., Houston TX 77055 • Toll Free: 800-935-5456 • Fax: 713-680-2999
NEW YORK PO Box 27, Rt. 22, Brewster NY 10509 • Toll Free: 800-431-2082 • Fax: 845-278-9056
 WEB: www.matco-norca.com EMAIL: mail@matco-norca.com