

26-1010LF Straight Supply Valve • Spec Sheet



FEATURES & BENEFITS

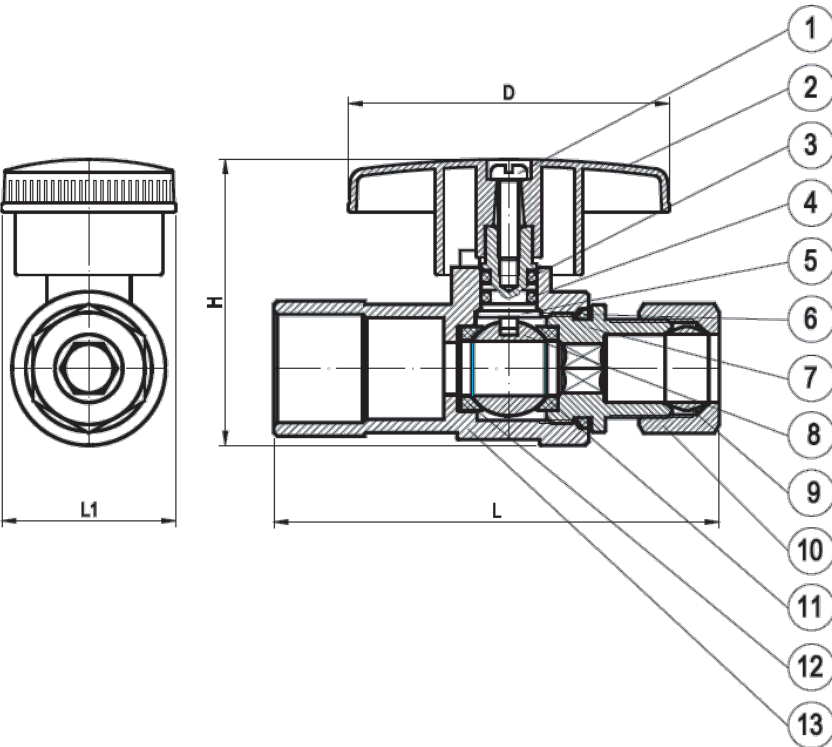
- Chrome Plated Lead Free Brass*
 - NSF & UPC Approved
 - Straight
 - Oval Handle
 - 1/2" Sweat x 3/8" OD Compression
- 26-1010BLF**
- Same as Above - Unplated Brass

DIMENSIONS

Part #	H	L	L1	D
26-1010LF	1.61	2.51	0.98	1.79
26-1010BLF	1.61	2.51	0.98	1.79

MATERIAL SPECIFICATIONS

No.	Part	Material
1	Bolt	Rod Carbon Steel SAE 1006
2	Handle	Zinc Alloy
3	O-Ring	EPDM SN-719F
4	O-Ring	EPDM SN-719F
5	Stem	Brass C89550
6	O-Ring	EPDM SN-719F
7	Outlet Nut	Brass C89550
8	Ball	Brass C89550
9	Sleeve	Brass C89550
10	Packing Nut	Brass B124 C37700
11	Packing	Plastic POM-M90
12	Packing	Plastic POM-M90
13	Body	Brass C89550



*This product complies with 0.25% weighted average lead content on wetted surfaces in accordance with the Safe Drinking Water Act (SDWA) / Federal Public Law No. 111-380.

