

# 26-1009LF Angle Supply Valve • Spec Sheet

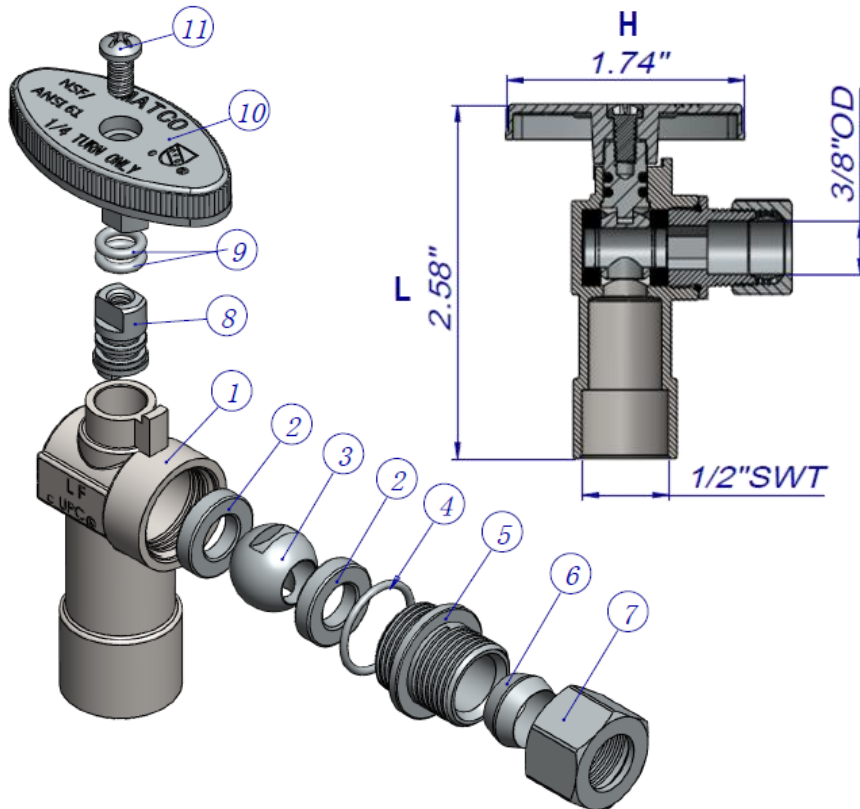


## FEATURES & BENEFITS

- Chrome Plated Lead Free Brass\*
  - NSF & UPC Approved
  - Angle
  - Oval Handle
  - 1/2" Sweat x 3/8" OD Compression
- 26-1009BLF**
- Same as Above - Unplated Brass

## DIMENSIONS

Part #	H	L
26-1009LF	1.74	2.58
26-1009BLF	1.74	2.58



## MATERIAL SPECIFICATIONS

No.	Part	Material
1	Body	Brass LF
2	Packing	PTFE
3	Ball	Brass LF
4	O-Ring	NBR
5	Outlet Nut	Brass LF
6	Sleeve	Brass LF
7	PackingNut	Brass
8	Stem	Brass
9	O-Ring	NBR
10	Handle	Zinc Alloy
11	Screw	Carbon Steel

\*This product complies with 0.25% weighted average lead content on wetted surfaces in accordance with the Safe Drinking Water Act (SDWA) / Federal Public Law No. 111-380.



Global sourcing. National compliance. Local service.

**CALIFORNIA** 5593 Fresca Dr., La Palma CA 90623  
**TEXAS** 1150 Silber Rd., Houston TX 77055  
**ILLINOIS** 278 Windy Point Dr., Glendale Heights, IL 60139  
**NEW YORK** PO Box 27, Rt.22, Brewster NY 10509  
 WEB: [www.matco-norca.com](http://www.matco-norca.com)

• Phone: 866-532-8306 • Fax: 866-532-8307  
 • Phone: 800-935-5456 • Fax: 713-680-2999  
 • Phone: 844-412-5068 • Fax: 800-640-2252  
 • Phone: 800-431-2082 • Fax: 845-278-9056  
 EMAIL: [mail@matco-norca.com](mailto:mail@matco-norca.com)