

# 26-1003PLF Angle Supply Valve

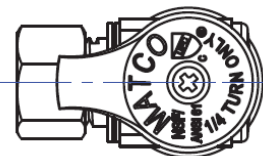
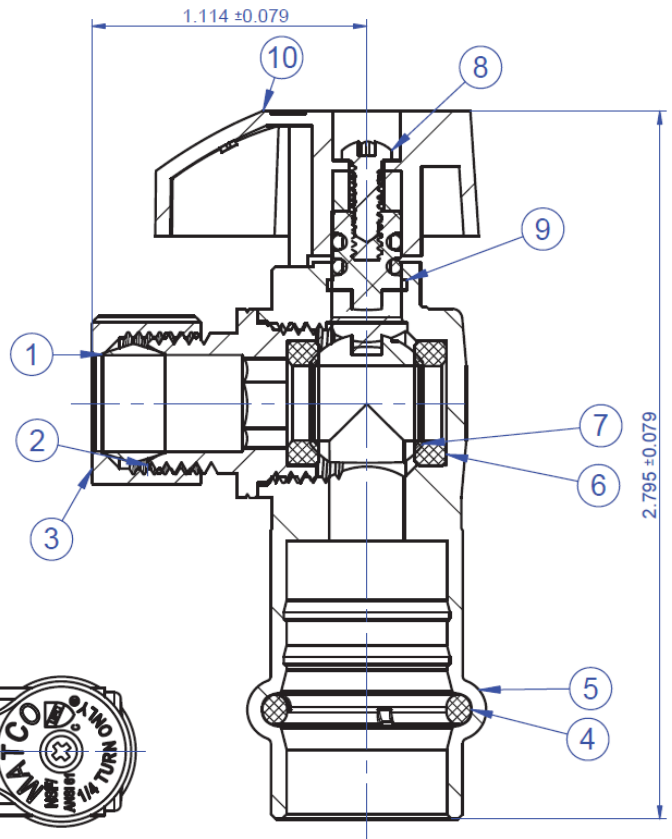
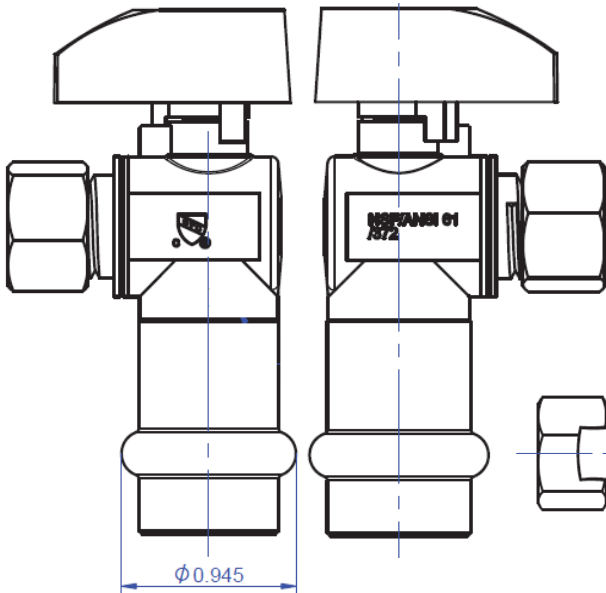
## Specification Sheet

### FEATURES & BENEFITS

- Chrome Plated Lead Free Brass
- 1/4 Turn
- 125 PSI
- One Piece Body
- cUPC, NSF/ANSI 61 Certified
- Temp. Rating: 32°F - 160°F
- 1/2" Press x 3/8" Compression

### MATERIAL SPECIFICATIONS

No.	Part	Material	QTY
1	Cutting Sleeve	H65	1
2	Bonnet	Brass C46500	1
3	Nut	Brass C37700	1
4	O-Ring	EPDM	1
5	Body	Brass C46500	1
6	Seal Seat	PTFE	2
7	Ball	Brass C46500	1
8	Screw	AISI201	1
9	Stem Kit	Brass C46500	1
10	Handle	Zamak5	1



**MATCO  
NORCA**