

# 26-1001LF Angle Supply Valve • Spec Sheet



## FEATURES & BENEFITS

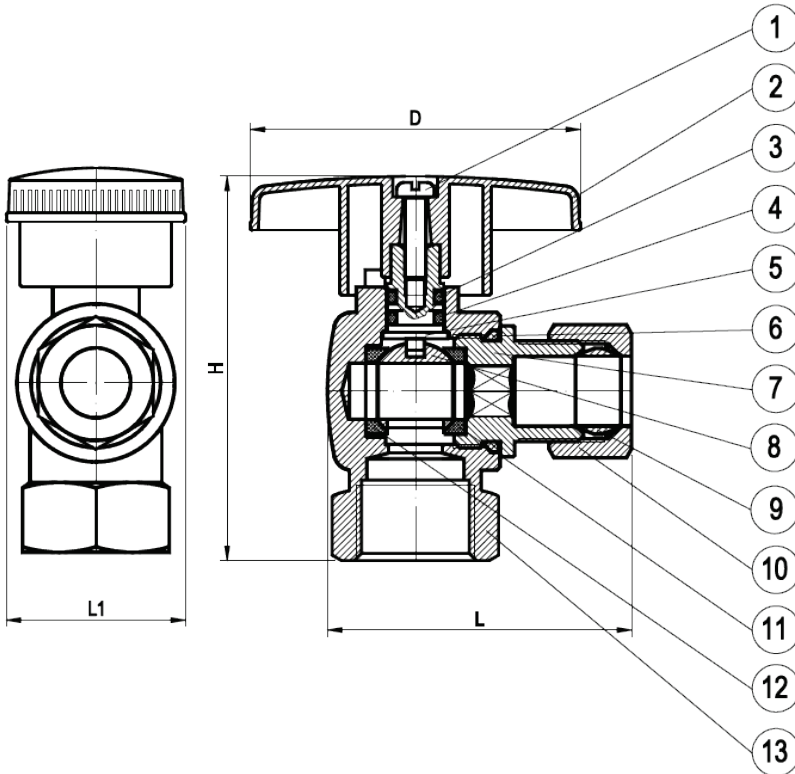
- Chrome Plated Lead Free Brass\*
- 1/4 Turn
- 3/8" FIP X 3/8" OD Compression

## DIMENSIONS

H	L	L1	D
2.09	1.66	0.98	1.79

## MATERIAL SPECIFICATIONS

No.	Part	Material
1	Bolt	Rod Carbon Steel SAE 1006
2	Handle	Zinc Alloy
3	O-Ring	EPDM SN-719F
4	O-Ring	EPDM SN-719F
5	Stem	Brass C89550
6	O-Ring	EPDM SN-719F
7	Outlet Nut	Brass C89550
8	Sleeve	Brass C89550
9	Packing Nut	Brass B124 C37700
10	Ball	Brass C89550
11	Packing	Plastic POM-M90
12	Packing	Plastic POM-M90
13	Body	Brass C89550



\* These product complies with 0.25% weighted average lead content on wetted surfaces in accordance with Safe Water Drinking Act (SDWA) / Federal Public Law No. 111-380.



Global sourcing. National compliance. Local service.

**CALIFORNIA** 5593 Fresca Dr., La Palma CA 90623 • Toll Free: 866-532-8306 • Fax: 866-532-8307  
**TEXAS** 1150 Silber Rd., Houston TX 77055 • Toll Free: 800-935-5456 • Fax: 713-680-2999  
**NEW YORK** PO Box 27, Rt. 22, Brewster NY 10509 • Toll Free: 800-431-2082 • Fax: 845-278-9056  
 WEB: [www.matco-norca.com](http://www.matco-norca.com) EMAIL: [mail@matco-norca.com](mailto:mail@matco-norca.com)

# 26-1002LF Straight Supply Valve • Spec Sheet



## FEATURES & BENEFITS

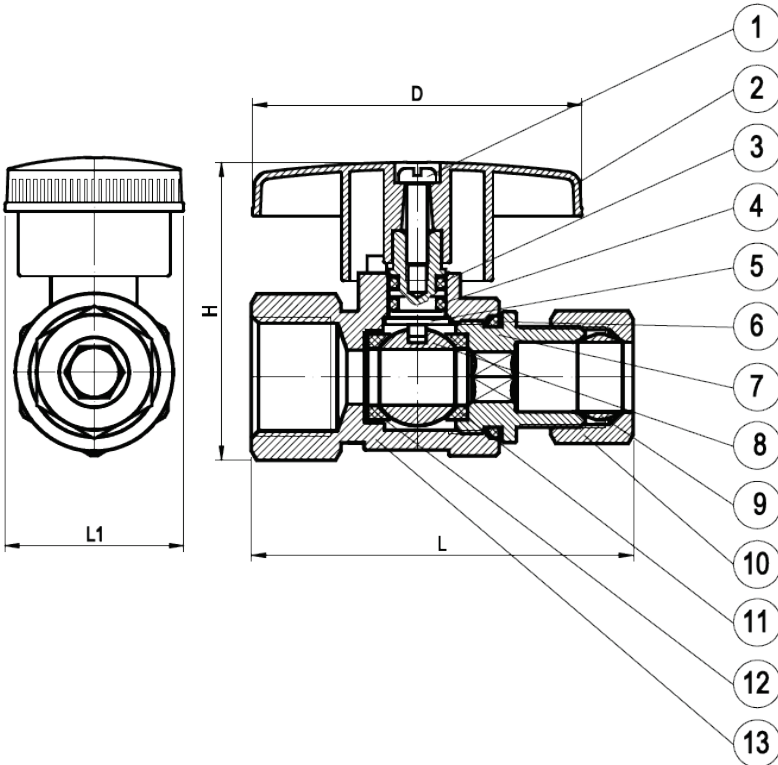
- Chrome Plated Lead Free Brass\*
- 1/4 Turn
- 3/8" FIP X 3/8" OD Compression

## DIMENSIONS

H	L	L1	D
1.64	2.10	0.98	1.79

## MATERIAL SPECIFICATIONS

No.	Part	Material
1	Bolt	Rod Carbon Steel SAE 1006
2	Handle	Zinc Alloy
3	O-Ring	EPDM SN-719F
4	O-Ring	EPDM SN-719F
5	Stem	Brass C89550
6	O-Ring	EPDM SN-719F
7	Outlet Nut	Brass C89550
8	Sleeve	Brass C89550
9	Packing Nut	Brass B124 C37700
10	Ball	Brass C89550
11	Packing	Plastic POM-M90
12	Packing	Plastic POM-M90
13	Body	Brass C89550



\* These product complies with 0.25% weighted average lead content on wetted surfaces in accordance with Safe Water Drinking Act (SDWA) / Federal Public Law No. 111-380.



Global sourcing. National compliance. Local service.

**CALIFORNIA** 5593 Fresca Dr., La Palma CA 90623 • Toll Free: 866-532-8306 • Fax: 866-532-8307  
**TEXAS** 1150 Silber Rd., Houston TX 77055 • Toll Free: 800-935-5456 • Fax: 713-680-2999  
**NEW YORK** PO Box 27, Rt. 22, Brewster NY 10509 • Toll Free: 800-431-2082 • Fax: 845-278-9056  
 WEB: [www.matco-norca.com](http://www.matco-norca.com) EMAIL: [mail@matco-norca.com](mailto:mail@matco-norca.com)