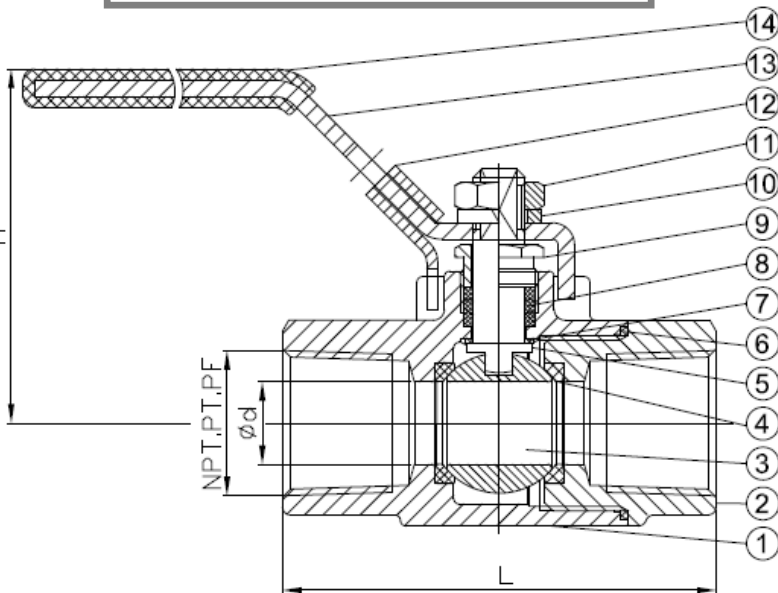
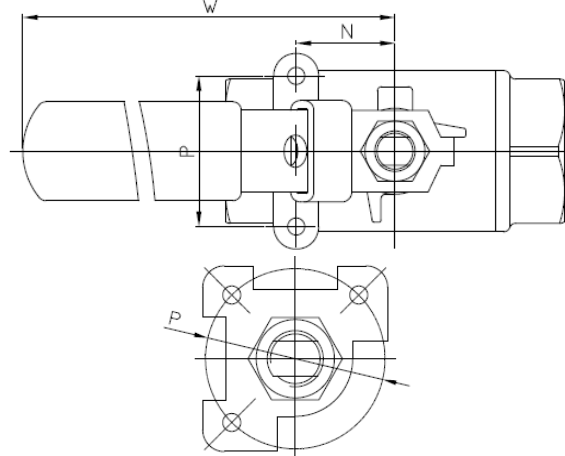


25SSTHM S.S. Threaded Ball Valve • Spec Sheet



FEATURES & BENEFITS

- Reduced Port
- Two Piece
- 150 lb. WSP
- W.P. 1/4"-1" - 2000 WOG
1-1/4" - 2" 1500 WOG
- W.T. -4°F - 392°F
- 316 Stainless Steel Body
- Investment Casting
- Blow-out Proof Stem
- Locking Handle
- Thread Type: ASTM B1.20.1 (NPT)
- Sizes 1/4" - 2"



DIMENSIONS

Part #	Size	d	L	H	W	N	P	Torque N.M	Weight (lb)
25SSTH01M	1/4"	0.43	2.27	2.21	4.02	0.49	1.12	6.9	0.73
25SSTH02M	3/8"	0.43	2.27	2.21	4.02	0.49	1.12	9.2	0.66
25SSTH03M	1/2"	0.50	2.36	2.21	4.02	0.49	1.12	12.7	0.68
25SSTH04M	3/4"	0.59	3.11	2.56	4.85	0.91	1.38	16.1	1.17
25SSTH05M	1"	0.79	3.35	2.68	4.85	0.91	1.38	20.7	1.59
25SSTH06M	1-1/4"	0.99	4.10	3.15	6.03	-	Ø1.97	32.2	2.80
25SSTH07M	1-1/2"	1.26	4.33	3.59	6.03	-	Ø1.97	51.8	3.84
25SSTH08M	2"	1.50	5.40	3.86	7.21	-	Ø1.97	59.8	4.67

MATERIAL SPECIFICATIONS

No.	Part	Material
1	Body	Stainless Steel 316
2	Cap	Stainless Steel 316
3	Ball	Stainless Steel 316
4	Seat	R.PTFE
5	Stem	Stainless Steel 316
6	Gasket	R.PTFE
7	Thrust Washer	R.PTFE
8	Packing	R.PTFE
9	Gland	Stainless Steel 304
10	Spring Washer	Stainless Steel 304
11	Stem Nut	Stainless Steel 304
12	Locking Device	Stainless Steel 304
13	Handle	Stainless Steel 304
14	Cover	Plastic



CALIFORNIA 5595 Fresca Dr., La Palma CA 90623
TEXAS 1150 Silber Rd., Houston TX 77055
ILLINOIS 278 Windy Point Dr., Glendale Heights, IL 60139
GEORGIA 113 Industrial Blvd., Americus, Georgia 31709
NEW YORK PO Box 27, Rt.22, Brewster NY 10509
 WEB: www.matco-norca.com

• Phone: 866-532-8306 • Fax: 866-532-8307
 • Phone: 800-935-5456 • Fax: 713-680-2999
 • Phone: 844-412-5068 • Fax: 800-640-2252
 • Phone: 800-433-7526 • Fax: 800-533-5134
 • Phone: 800-431-2082 • Fax: 845-278-9056
 EMAIL: mail@matco-norca.com