

240 Brass Globe Valve

Spec Sheet

FEATURES & BENEFITS

- Bronze Handles
- Brass Body
- 200 PSI Non-Shock CWP
- Thread Ends Comply with ANSI Standard B1.20.1
- Available In Sizes 3/4" - 2"

Applications: Angle Control Valve, Blow Off Valve
Irrigation, Waterworks, Commercial and Light Industrial,
Threaded Ends Comply With ANSI Standard B1.20.1

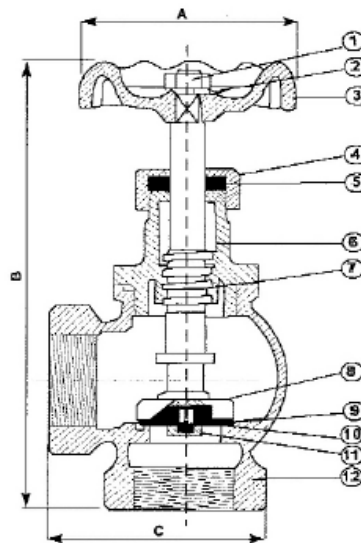


MATERIAL SPECIFICATIONS

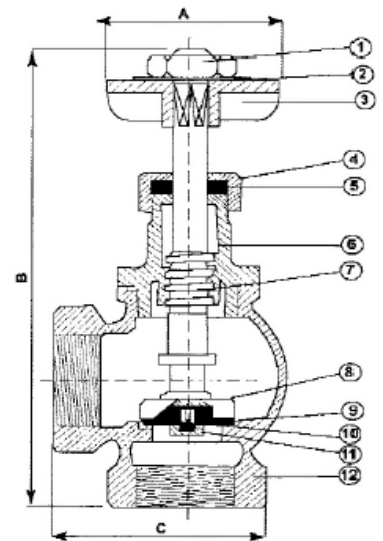
No.	Part	Material
1	Wheel Nut	Hot Rolled SAE 1010R
2	Name Plate	Aluminum A1100
3	Handwheel	Bronze B584 C84400
3	Cross Handle	Brass B584 C85710
4	Packing Nut	Brass B584 C85710
5	Gland Packing	Rubber SAE No. 1052
6	Bonnet	Brass B584 C85710
7	Stem	Brass B584 C85710
8	Seat Holder	Brass B584 C85710
9	Seal Packing	Rubber SAE No. 1052
10	Washer	Brass B16 C36000
11	Seat Nut	Brass B16 C36000
12	Body	Brass B584 C85710

DIMENSIONS

Model/Size	A	B	C
240TH			
3/4"	2.48	4.98	2.17
1"	2.48	5.49	2.58
1-1/4"	3.50	7.09	3.23
1-1/2"	3.50	7.68	3.62
2"	4.33	8.86	4.25
240T			
3/4"	1.64	4.98	2.17
1"	1.64	5.49	2.58
1-1/4"	1.73	7.01	3.23
1-1/2"	1.73	7.64	3.62
2"	1.73	8.74	4.25



240TH



240T

