

240 BRASS GLOBE VALVE MATCO-NORCA

- ❖ Brass Body ❖ Bronze Handles
- ❖ Available In Sizes 3/4" - 2" ❖ ISO-9001-2000

200 PSI NON-SHOCK CWP

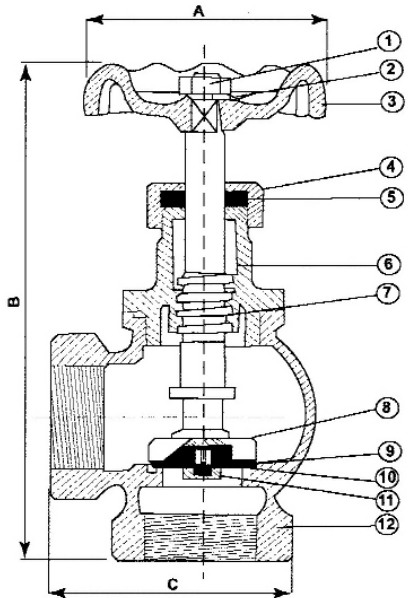
Applications: Angle Control Valve, Blow Off Valve
Irrigation, Waterworks, Commercial and Light Industrial

Threaded Ends Comply With ANSI Standard B1.20.1

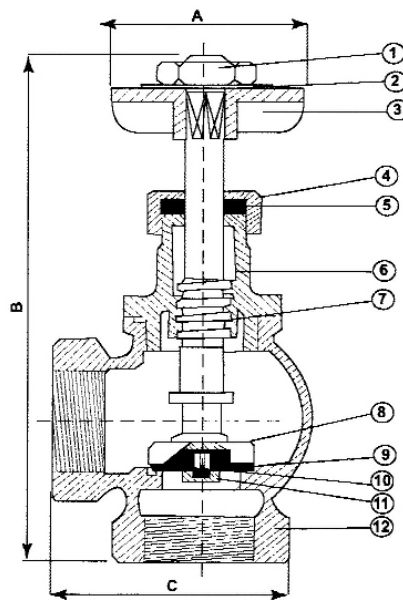


MATERIAL SPECIFICATIONS

| No. | Part | Material | ASTM Designation |
|-----|---------------|--------------|------------------|
| 1 | Wheel Nut | Hot Rolled | SAE 1010R |
| 2 | Name Plate | Aluminum | A1100 |
| 3 | Handwheel | Bronze | B584 C84400 |
| 3 | Cross Handle | Brass | B584 C85710 |
| 4 | Packing Nut | Brass | B584 C85710 |
| 5 | Gland Packing | Rubber (NBR) | SAE No 1052 |
| 6 | Bonnet | Brass | B584 C85710 |
| 7 | Stem | Brass | B584 C85710 |
| 8 | Seat Holder | Brass | B584 C85710 |
| 9 | Seal Packing | Rubber (NBR) | SAE No 1052 |
| 10 | Washer | Brass | B16 C36000 |
| 11 | Seat Nut | Brass | B16 C36000 |
| 12 | Body | Brass | B584 C85710 |



240TH



240T

DIMENSIONS & WEIGHTS

| Size | A | B | C |
|--------------|------|------|------|
| 240TH | | | |
| 3/4" | 2.48 | 4.98 | 2.17 |
| 1" | 2.48 | 5.49 | 2.58 |
| 1-1/4" | 3.50 | 7.09 | 3.23 |
| 1-1/2" | 3.50 | 7.68 | 3.62 |
| 2" | 4.33 | 8.86 | 4.25 |
| 240T | | | |
| 3/4" | 1.64 | 4.98 | 2.17 |
| 1" | 1.64 | 5.49 | 2.58 |
| 1-1/4" | 1.73 | 7.01 | 3.23 |
| 1-1/2" | 1.73 | 7.64 | 3.62 |
| 2" | 1.73 | 8.74 | 4.25 |

Product Spec Sheet

Designed By JCM Advertising