

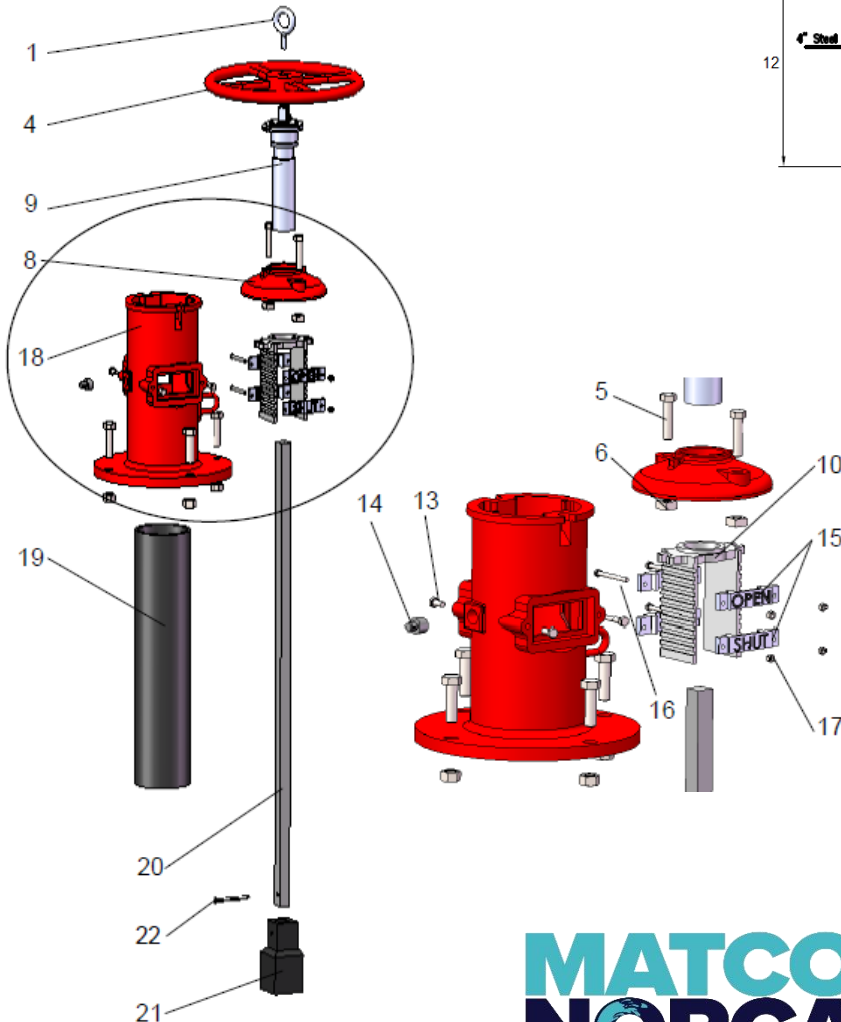
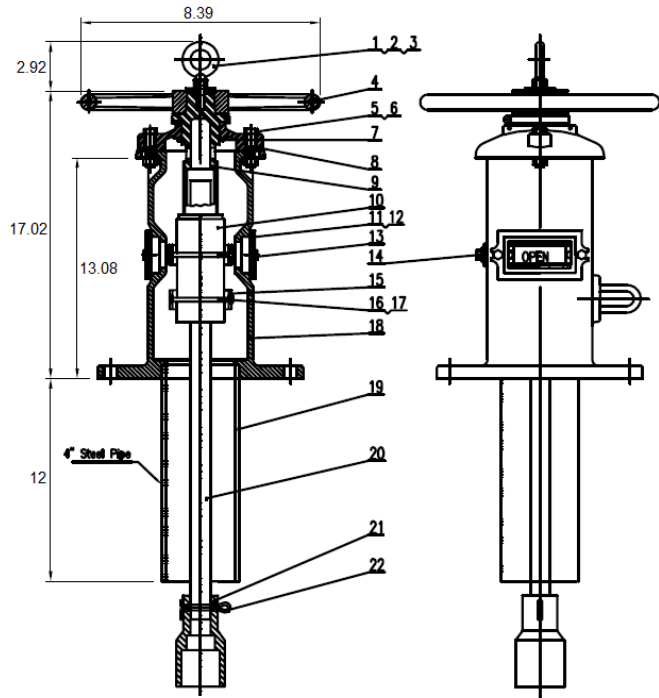
225WMIP Indicator Post

Specification Sheet



FEATURES & BENEFITS

- UL Listed / FM Approved
- Wall Mount



MATERIAL SPECIFICATIONS

No.	Part	Material	ASTM Spec.
1	Eye Bolt	Carbon Steel	ASTM A307B
2	Hex Nut	Carbon Steel	ASTM A307B
3	Washer	Carbon Steel	ASTM A307B
4	Handwheel	Ductile Iron	ASTM A536 64-45-12
5	Hex Bolt	Carbon Steel	ASTM A307B
6	Hex Nut	Carbon Steel	ASTM A307B
7	Snap Ring	Stainless Steel	AISI 1066
8	Cover	Cast Iron	ASTM A126 Class B
9	Operating Nut	Stainless Steel	AISI 304
10	Target Nut	Stainless Steel	AISI 304
11	Window Glass	Plexiglass	ASTM A536 64-45-12
12	Gasket	Rubber	PTFE
13	Hex Bolt	Carbon Steel	ASTM A307B
14	Plug	Malleable Iron	ASTM A307B
15	Target	Cast Aluminum	-
16	Hex Bolt	Carbon Steel	ASTM A307B
17	Hex Nut	Carbon Steel	ASTM A307B
18	Body	Cast Iron	ASTM A126 Class B
19	Steel Pipe	Carbon Steel	ASTM A307B
20	Stem	Carbon Steel	ASTM A307B
21	Crane Coupling	Ductile Iron	ASTM A536 64-45-12
22	Cotter Pin	Stainless Steel	AISI 304

