

# 225MP DI MJ Post Indicator Gate Valve With Plate

## Specification Sheet

### FEATURES & BENEFITS

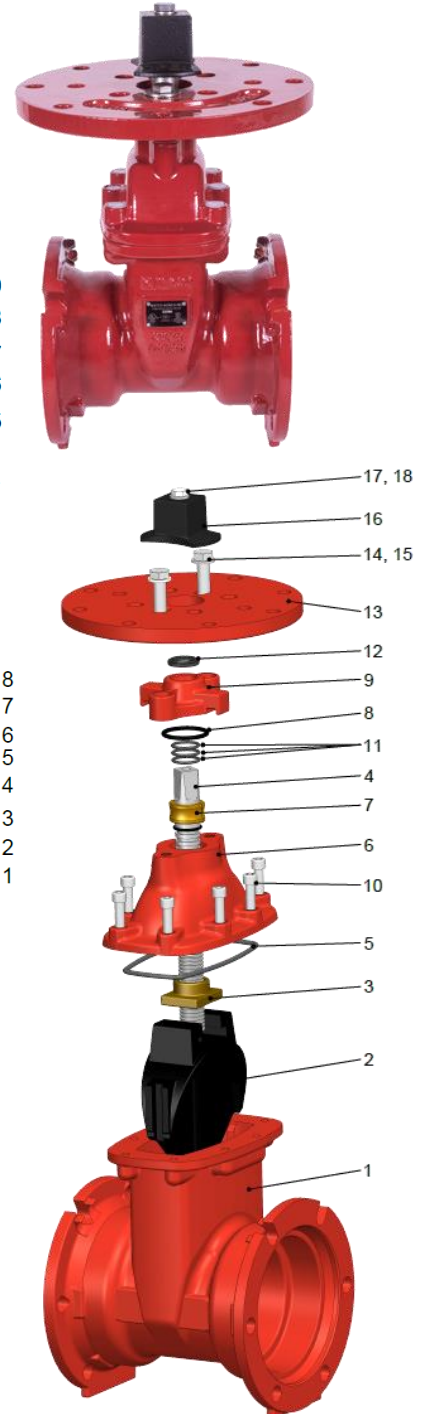
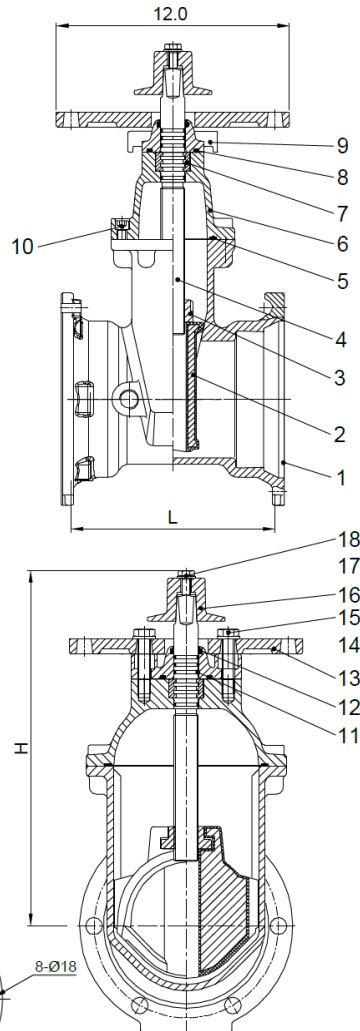
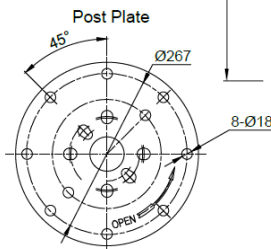
- Mechanical Joint Ductile Iron Gate Valve
- Resilient Wedge
- Non Rising Stem
- 300 PSI
- Temp Range of 140°F - 180°F
- AWWA C550 Epoxy
- AWWA C515-15
- UL Listed / FM Approved
- NSF-61 / NSF-372 verified by UL Water Quality

### MATERIAL SPECIFICATIONS

No.	Part	Material	ASTM Spec.
1	Body	Ductile Iron	A536-65-45-12
2	Wedge	Ductile Iron EPDM Encapsulated	
3	Wedge Nut	Bronze	B148 C95200
4	Stem	Stainless Steel	A276 Type 304
5	Gasket	Rubber EPDM	D2000
6	Bolt	Ductile Iron	A536-65-45-12
7	Thrust Collar	Bronze	B148 C95200
8	O-Ring	Rubber NBR	D2000
9	Gland	Ductile Iron	A536-65-45-12
10	Screw	Carbon Steel	A307 Grade B
11	O-Rings	Rubber NBR	D2000
12	Scraper Seal	Rubber NBR	D2000
13	Post Plate	Ductile Iron	A536-65-45-12
14	Bolt	Stainless Steel	A276 Type 304
15	Washer	Stainless Steel	A276 Type 304
16	Operating Nut	Ductile Iron	A536-65-45-12
17	Bolt	Stainless Steel	F593 Grade 304
18	Washer	Stainless Steel	A276 Type 304

### DIMENSIONS

Part #	Size	L	H	Bolt (No.14)
225MP11	4"	10.0	14.6	0.47
225MP13	6"	11.5	18.3	0.63
225MP14	8"	12.5	21.7	0.63
225MP15	10"	14.8	25.2	0.63
225MP16	12"	14.9	28.5	0.63



**MATCO  
NORCA**