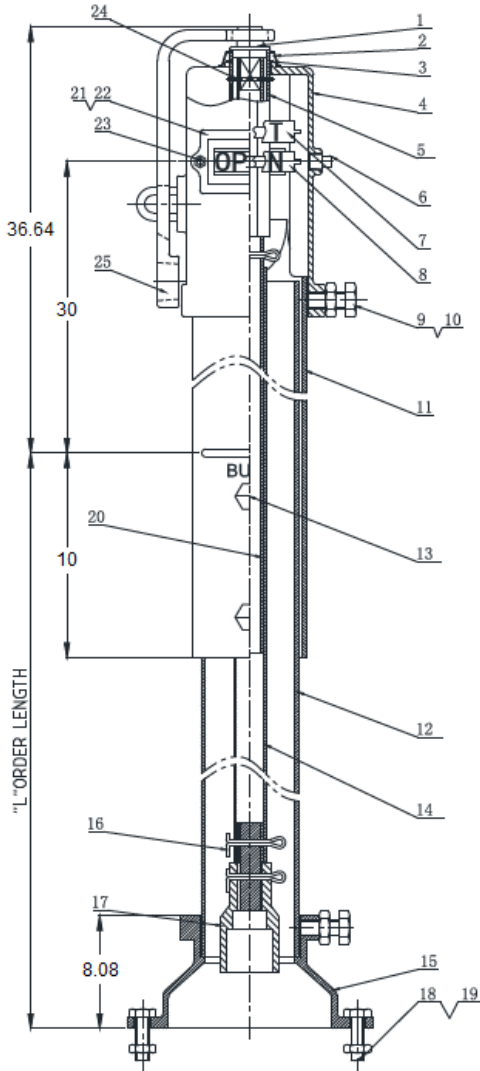


225IPAB & 225IPC Indicator Post

Specification Sheet



FIELD ADJUSTMENT

Order Length	Min	Max
A	18.00	39.50
B	36.00	60.50
C	57.00	81.50

- Remove Post Head to adjust OPEN and SHUT signs as required
- Adjust telescoping stem and pipe to desired length.
- Attach base of post to the post plate on the valve using bolts / nuts provided.

FEATURES & BENEFITS

- Indicates if the valve is in the OPEN or SHUT position.
 - Provides a means to operate a buried or otherwise inaccessible valve.
 - The wrench handle fits over a "U" bracket on the barrel and may be fixed to the barrel with a padlock (provided by others) for security.
 - Ease of Installation. Telescoping stem can be adjusted without field cutting
 - OPEN and SHUT signs are easily adjusted by removing the post head.
 - Telescoping Design allows for easy adjustment to final grade
 - For use with gate valve size 4"-12".
 - UL Listed and FM Approved.
- Corrosion Protection**
- Internally and externally spray epoxy painted RAL3000.

MATERIAL SPECIFICATIONS

No.	Part	Material	ASTM Spec.
1	Operating Nut	Ductile Iron	ASTM A536 64-45-12
2	Weather Cap	Polyethylene	
3	Retaining Ring	Stainless Steel	ANSI 302
4	Post Head	Cast Iron	ASTM A126 CLB
5	Threaded Sleeve	Stainless Steel	ANSI 304
6	Pipe Plug	Carbon Steel	
7	"SHUT" Target	Cast AL	
8	"OPEN" Target	Cast AL	
9	Bolt	Carbon Steel / Zinc Plated	ASTM A307B
10	Nut	Carbon Steel / Zinc Plated	ASTM A307B
11	Upper Barrel	Carbon Steel	ASTM A53 Gr. B
12	Lower Barrel	Carbon Steel	ASTM A53 Gr. B
13	Bolt	Carbon Steel / Zinc Plated	ASTM A307B
14	Lower Stem	Carbon Steel	ASTM A513
15	Bell	Cast Iron	ASTM A126 CLB
16	Cotter Pin	Stainless Steel	ANSI304
17	Coupling	Ductile Iron	ASTM A536 64-45-12
18	Bolt	Carbon Steel / Zinc Plated	ASTM A307B
19	Nut	Carbon Steel / Zinc Plated	ASTM A307B
20	Upper Stem	Carbon Steel	ASTM A513
21	Window	Molded Plastic	
22	Gasket	PTFE	
23	Bolt	Carbon Steel / Zinc Plated	ASTM A307B
24	Spring Pin	Stainless Steel	ANSI 304
25	Wrench	Ductile Iron	ASTM A536 64-45-12

