

20CSFLD Carbon Steel Flanged Ball Valve • Spec Sheet

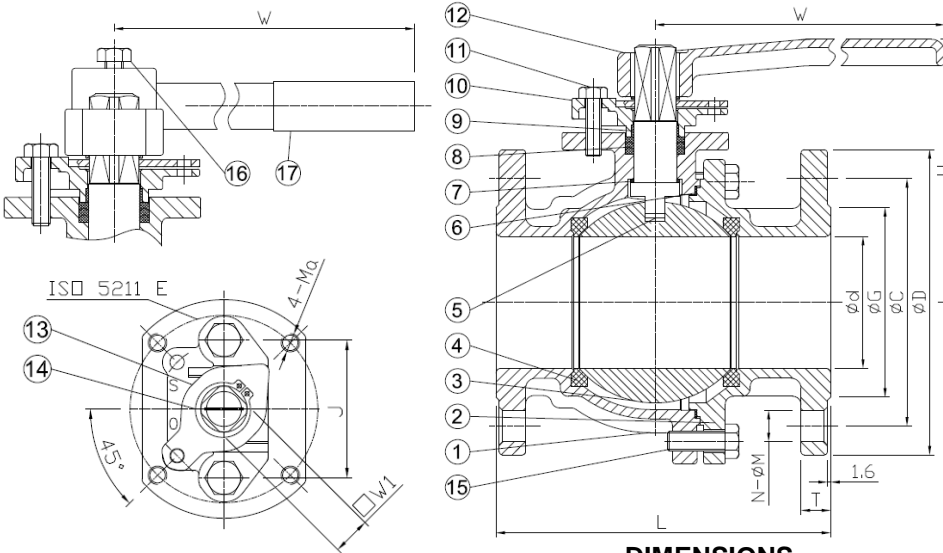


FEATURES & BENEFITS

- Full Port
- Two Piece
- 150 lb. WSP
- W.P. ANSI Class 150
- W.T. -4°F - 392°F
- Investment Casting
- Blow-out Proof Stem
- Locking device
- ASME B16.34
- Sizes 1/2" - 6"

MATERIAL SPECIFICATIONS

| No. | Part | Material |
|-----|---------------|---------------------|
| 1 | Body | Carbon Steel |
| 2 | Cap | Carbon Steel |
| 3 | Solid Ball | Stainless Steel 304 |
| 4 | Seat | R.PTFE |
| 5 | Stem | Stainless Steel 304 |
| 6 | Gasket | R.PTFE |
| 7 | Thrust Washer | R.PTFE |
| 8 | Packing | R.PTFE |
| 9 | Stem Packing | R.PTFE |
| 10 | Gland | Stainless Steel 304 |
| 11 | Gland Bolt | Stainless Steel 304 |
| 12 | Handle | Carbon Steel |
| 13 | Stopper | Stainless Steel 304 |
| 14 | Snap Ring | Stainless Steel 304 |
| 15 | Bolt | Stainless Steel 304 |
| 16 | Handle Bolt | Stainless Steel 304 |
| 17 | Cover | Plastic |



DIMENSIONS

| Part # | Size | Ød | D | C | G | T | N-ØM | L | H | W | W1 | J | ISO 5211 | E | Ma | Torque N-M | Weight (lb) |
|-----------|--------|------|-------|------|------|------|---------|-------|------|-------|------|------|----------|------|-----|------------|-------------|
| 20CSFL03D | 1/2" | 0.59 | 3.51 | 2.38 | 1.38 | 0.48 | 4-Ø0.63 | 4.26 | 2.76 | 6.30 | 0.47 | 1.97 | F04 | 1.65 | M5 | 16.1 | 3.99 |
| 20CSFL04D | 3/4" | 0.79 | 3.86 | 2.76 | 1.69 | 0.48 | 4-Ø0.63 | 4.61 | 2.88 | 6.30 | 0.47 | 1.97 | F04 | 1.65 | M5 | 20.7 | 4.76 |
| 20CSFL05D | 1" | 0.99 | 4.26 | 3.13 | 2.01 | 0.48 | 4-Ø0.63 | 5.00 | 3.03 | 6.30 | 0.47 | 1.97 | F04 | 1.65 | M5 | 25.3 | 6.22 |
| 20CSFL06D | 1-1/4" | 1.26 | 4.61 | 3.53 | 2.52 | 0.50 | 4-Ø0.63 | 5.52 | 3.35 | 6.30 | 0.47 | 1.97 | F05 | 1.97 | M6 | 28.8 | 8.25 |
| 20CSFL07D | 1-1/2" | 1.58 | 5.00 | 3.88 | 2.88 | 0.56 | 4-Ø0.63 | 6.50 | 4.10 | 7.33 | 0.67 | 2.44 | F07 | 2.76 | M8 | 33.4 | 12.94 |
| 20CSFL08D | 2" | 1.97 | 5.99 | 4.75 | 3.62 | 0.63 | 4-Ø0.75 | 7.01 | 4.49 | 7.33 | 0.67 | 2.44 | F07 | 2.76 | M8 | 39.1 | 19.29 |
| 20CSFL09D | 2-1/2" | 2.56 | 7.49 | 5.50 | 4.14 | 0.69 | 4-Ø0.75 | 7.49 | 5.59 | 12.77 | 0.83 | 2.96 | F07 | 2.76 | M8 | 57.5 | 28.88 |
| 20CSFL10D | 3" | 3.15 | 7.49 | 6.01 | 5.00 | 0.75 | 4-Ø0.75 | 8.00 | 6.03 | 12.77 | 0.83 | 2.96 | F10 | 4.02 | M10 | 86.3 | 39.02 |
| 20CSFL11D | 4" | 3.94 | 9.02 | 7.51 | 6.19 | 0.94 | 8-Ø0.75 | 9.02 | 6.54 | 12.77 | 0.83 | 2.96 | F10 | 4.02 | M10 | 115 | 62.39 |
| 20CSFL13D | 6" | 5.91 | 10.99 | 9.52 | 8.51 | 1.00 | 8-Ø0.87 | 15.52 | 9.73 | 29.55 | 0.95 | 3.51 | F12 | 4.93 | M12 | 310 | 144.84 |



CALIFORNIA 5595 Fresca Dr., La Palma CA 90623
TEXAS 1150 Silber Rd., Houston TX 77055
ILLINOIS 278 Windy Point Dr., Glendale Heights, IL 60139
GEORGIA 113 Industrial Blvd., Americus, Georgia 31709
NEW YORK PO Box 27, Rt.22, Brewster NY 10509
 WEB: www.matco-norca.com

• Phone: 866-532-8306 • Fax: 866-532-8307
 • Phone: 800-935-5456 • Fax: 713-680-2999
 • Phone: 844-412-5068 • Fax: 800-640-2252
 • Phone: 800-433-7526 • Fax: 800-533-5134
 • Phone: 800-431-2082 • Fax: 845-278-9056
 EMAIL: mail@matco-norca.com