

209 Frost Free Sillcock • Spec Sheet

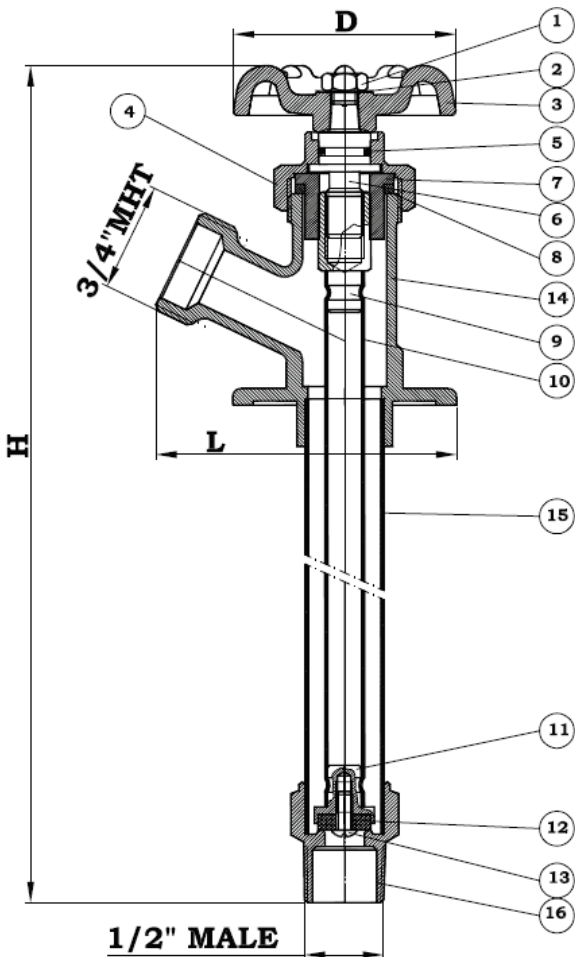


FEATURES & BENEFITS

- ISO 9002
- 150 WOG
- Chrome-Plated Brass Body & Tube
- For Wall Thickness 4" – 14"
- Hose x 1/2" MIP / 1/2" SWT Inlet

DIMENSIONS

Part #	Length	H	D	L
209004	4"	8.20	2.13	2.72
209006	6"	10.24	2.13	2.72
209008	8"	12.14	2.13	2.72
209010	10"	14.18	2.13	2.72
209012	12"	16.08	2.13	2.72
209014	14"	18.12	2.13	2.72



MATERIAL SPECIFICATIONS

No.	Part	Material
1	Wheel Nut	Iron
2	Name Plate	Aluminum
3	Handle Wheel	Cast Iron
4	Bonnet	Brass
5	O-Ring	Rubber
6	Stem	Brass
7	Packing	PVC
8	Gland Packing	Rubber
9	Stem Hole	Brass
10	Stem Pipe	Brass
11	Seat House	Brass
12	Seat Packing	Rubber
13	Seat Screw	Brass
14	Body	Brass
15	Drain Pipe	Brass
16	Drain Bolt	Brass

MATCO-NORCA

Global sourcing. National compliance. Local service.

CALIFORNIA 5593 Fresca Dr., La Palma CA 90623 • Toll Free: 866-532-8306 • Fax: 866-532-8307
TEXAS 1150 Silber Rd., Houston TX 77055 • Toll Free: 800-935-5456 • Fax: 713-680-2999
NEW YORK PO Box 27, Rt. 22, Brewster NY 10509 • Toll Free: 800-431-2082 • Fax: 845-278-9056
 WEB: www.matco-norca.com EMAIL: mail@matco-norca.com

2094 Frost Free Sillcock • Spec Sheet

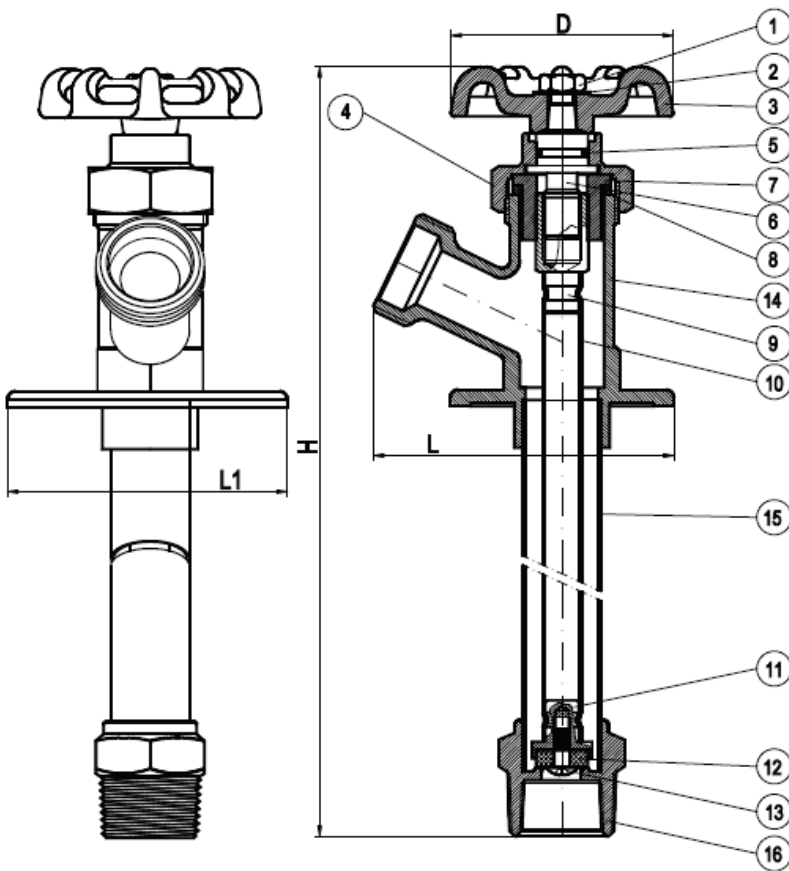


FEATURES & BENEFITS

- ISO 9002
- 150 WOG
- Chrome-Plated Brass Body & Tube
- For Wall Thickness 4" – 14"
- Hose x 3/4" MIP / 1/2" FIP Inlet

DIMENSIONS

Part #	Length	H	D	L	L1
209404	4"	8.20	2.13	2.72	2.80
209406	6"	10.24	2.13	2.72	2.80
209408	8"	12.14	2.13	2.72	2.80
209410	10"	14.18	2.13	2.72	2.80
209412	12"	16.08	2.13	2.72	2.80
209414	14"	18.12	2.13	2.72	2.80



MATERIAL SPECIFICATIONS

No.	Part	Material
1	Wheel Nut	Hot Rolled Wire Rods
2	Name Plate	Aluminum A 1070
3	Handle Wheel	Rod Carbon Steel SAE 1006
4	Bonnet	Brass B124 C37700
5	O-Ring	Rubber SN-719F
6	Stem	Brass B124 C37700
7	Packing	Plastic POM-M90
8	Gland Packing	Rubber SN-719F
9	Stem Hole	Brass B124 C37700
10	Stem Pipe	Brass C26000
11	Seat House	Brass B124 C37700
12	Seat Packing	Rubber SN-719F
13	Seat Screw	Brass C26000
14	Body	Brass B584 C85710
15	Drain Pipe	Brass C26000
16	Drain Bolt	Brass C89550



MATCO-NORCA

Global sourcing. National compliance. Local service.

CALIFORNIA 5593 Fresca Dr., La Palma CA 90623 • Toll Free: 866-532-8306 • Fax: 866-532-8307
TEXAS 1150 Silber Rd., Houston TX 77055 • Toll Free: 800-935-5456 • Fax: 713-680-2999
NEW YORK PO Box 27, Rt. 22, Brewster NY 10509 • Toll Free: 800-431-2082 • Fax: 845-278-9056
 WEB: www.matco-norca.com EMAIL: mail@matco-norca.com

209LK Loose Key Frost Free Sillcock • Spec Sheet

FEATURES & BENEFITS

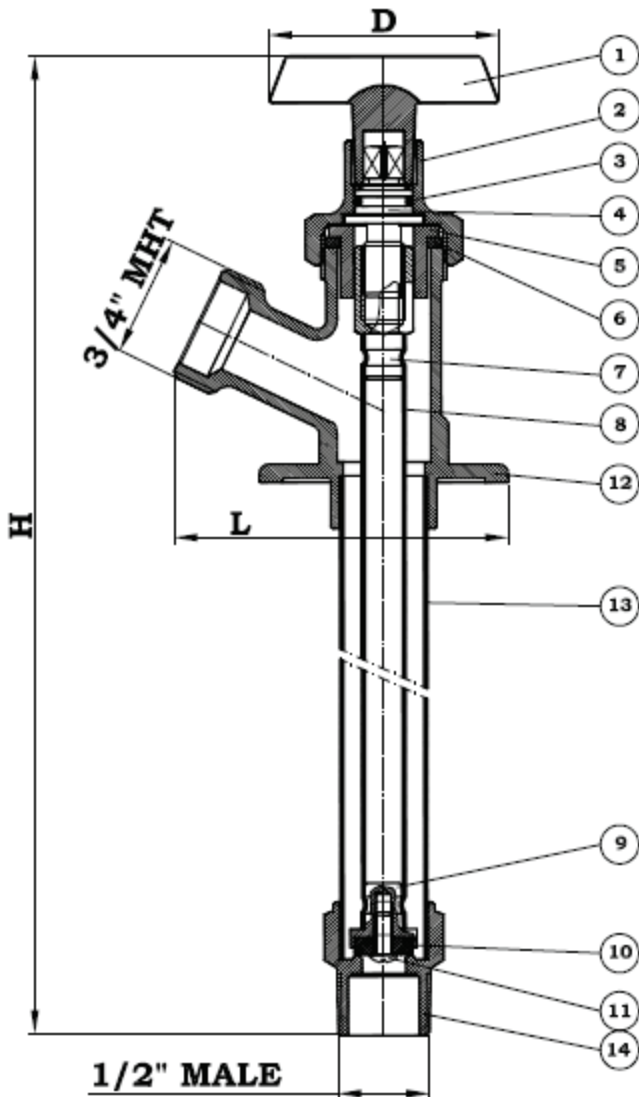
- ISO 9002
- 150 WOG
- Chrome-Plated Brass Body & Tube
- For Wall Thickness 4" – 14"
- Hose x 1/2" MIP / 1/2" SWT Inlet
- With Loose Key Handle

DIMENSIONS

Part #	Length	H	D	L
209008LK	8"	12.57	1.97	2.72
209010LK	10"	14.62	1.97	2.72
209012LK	12"	16.51	1.97	2.72

MATERIAL SPECIFICATIONS

No.	Part	Material
1	Key	Zinc Z30A 99, 90-99, 95%
2	Bonnet	Brass B124 C37700
3	O Ring	EPDM
4	Stem	Brass B124 C37700
5	Packing	Polyacetal
6	Gland Packing	EPDM
7	Stem House	Brass B124 C37700
8	Stem Pipe	Brass C26000
9	Seat House	Brass B124 C37700
10	Seat Packing	Rubber
11	Seat Screw	Brass C2600W
12	Body	Brass B584 C85710
13	Drain Pipe	Brass C26000
14	Drain Bolt	Brass B124 C37700



MATCO-NORCA

Global sourcing. National compliance. Local service.

CALIFORNIA 5593 Fresca Dr., La Palma CA 90623 • Toll Free: 866-532-8306 • Fax: 866-532-8307
TEXAS 1150 Silber Rd., Houston TX 77055 • Toll Free: 800-935-5456 • Fax: 713-680-2999
NEW YORK PO Box 27, Rt. 22, Brewster NY 10509 • Toll Free: 800-431-2082 • Fax: 845-278-9056
 WEB: www.matco-norca.com EMAIL: mail@matco-norca.com