

# 206LF Sillcock

## Specification Sheet

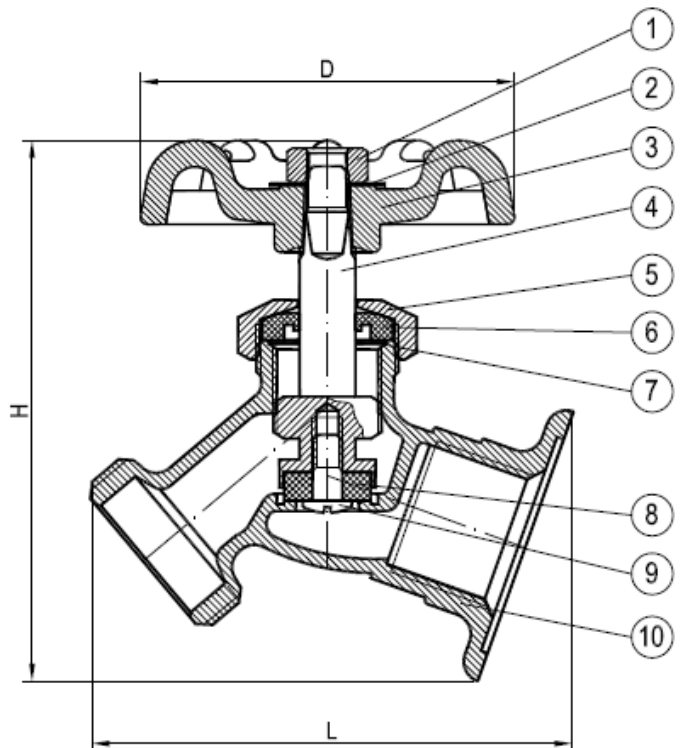
### FEATURES & BENEFITS

- Lead Free Brass
- 125 WOG
- Sillcock (Lawn Faucet)
- Hose x FIP
- Sizes 1/2" and 3/4"



### MATERIAL SPECIFICATIONS

No.	Part	Material
1	Wheel Nut	Hot Rolled SAE. 1010R
2	Name Plate	Aluminum
3	Handle Wheel	Cast Iron
4	Packing Nut	Brass B16 C36000
5	Gland Packing	PTFE M-392
6	Bonnet	Brass C89550
7	Stem	Brass C89550
8	Seat Packing	Rubber NBR SN-919F
9	Seat Screw	Brass B19 C26000
10	Body	Brass C89550



### DIMENSIONS

Part #	Size	D	H	L
206T03LF	1/2" Threaded	2.08	2.40	2.25
206C03LF	1/2" Sweat	2.08	2.40	2.13
206T04LF	3/4" Threaded	2.08	2.40	2.40
206C04LF	3/4" Sweat	2.08	2.40	2.48

