

# 206HLF Brass Sillcock • Spec Sheet

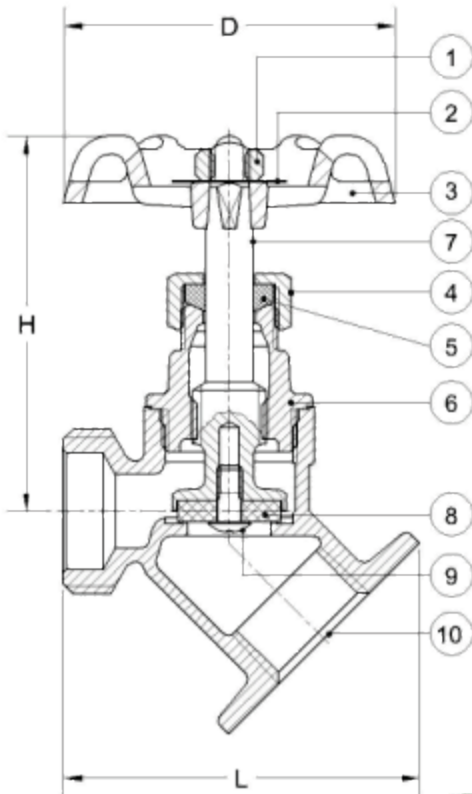


## FEATURES & BENEFITS

- Lead Free Brass\*
- 125 WOG
- Sillcock (Lawn Faucet)
- FIP X Hose
- ISO-9002
- Size 1/2" and 3/4"

## DIMENSIONS

Part #	Size	D	H	L
206T03HLF	1/2" FIP X 3/4" Hose	2.05	2.40	2.25
206T04HLF	3/4" FIP X 3/4" Hose	2.05	2.40	2.40



## MATERIAL SPECIFICATIONS

No.	Part	Material
1	Wheel Nut	Hot Rolled SAE 1010R
2	Name Plate	Aluminum
3	Handle Wheel	Cast Iron
4	Packing Nut	Brass C89550
5	Gland Packing	PTFE
6	Bonnet	Brass C89550
7	Stem	Brass C89550
8	Seat Packing	BUNA
9	Seat Screw	Brass B19 C26000
10	Body	Brass C89550

\* These product complies with 0.25% weighted average lead content on wetted surfaces in accordance with Safe Water Drinking Act (SDWA) / Federal Public Law No. 111-380.



Global sourcing. National compliance. Local service.

**CALIFORNIA** 5593 Fresca Dr., La Palma CA 90623 • Toll Free: 866-532-8306 • Fax: 866-532-8307  
**TEXAS** 1150 Silber Rd., Houston TX 77055 • Toll Free: 800-935-5456 • Fax: 713-680-2999  
**NEW YORK** PO Box 27, Rt. 22, Brewster NY 10509 • Toll Free: 800-431-2082 • Fax: 845-278-9056  
 WEB: [www.matco-norca.com](http://www.matco-norca.com) EMAIL: [mail@matco-norca.com](mailto:mail@matco-norca.com)